

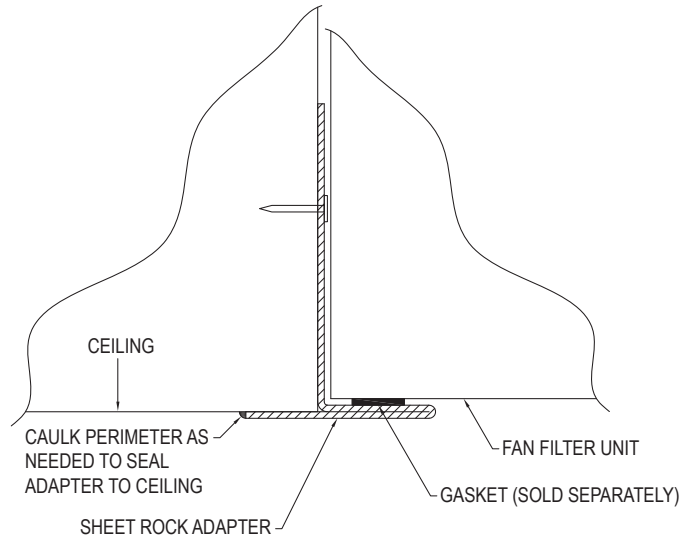
INSTALLATION INSTRUCTIONS

■ **Introduction**

Cleanroom filtration must be placed in a gasket grid or frame for proper sealing. When using a **sheet rock adapter** frame for hard ceiling application, you must make sure the seal is made by gasketing the adapter frame prior to placing the fan filter unit (FFU) into it. Metal to metal will not make a proper seal.

■ **Procedure**

1. Frame the proper opening in the ceiling for the FFU you have, per the table below.
2. Apply gasket (sold separately) to the FFU metal to gasket flange. (Metal to metal will not seal.)
3. Secure the adapter to the rough opening using the appropriate hardware.
4. We recommended caulking the perimeter of the adapter.
5. Test the FFUs to ensure that they are fully operational before placing into the sheet rock adapter frame.
6. Place the FFU into the sheet rock adapter frame. RSR style units will allow replacement of the gel seal filters through the adapter opening, while STD models will not.
7. We recommend creating as many access panels as possible to the ceiling for the ability to access units from above as required.



■ **Rough Opening Sizes (Inches)**

Adapter Size (FFU Actual)	A	B
4 x 4 (47.63 x 47.63)	48	48
2 x 4 (23.63 x 47.63)	24	48
2 x 3.5 (23.63 x 41.63)	24	42
2 x 3 (23.63 x 35.63)	24	36
2 x 2 (23.63 x 23.63)	24	24

Tolerance = + 1/8" / -0

