

MOTOR: THREE SPEED BACKWARD INCLINED MOTOR/BLOWER

- 115V, 60 Hz, 1 PHASE, 2.26 FLA
- 208-240V, 50/60 Hz, 1 PHASE, 1.4 FLA
- 277V, 60 Hz, 1 PHASE, 1.17 FLA

FILTER:

- HEPA 99.99% @ 0.3 MICRON UL 900 (STANDARD)
- ULPA 99.9995% @ 0.12 MICRON (U15) UL 900
- PTFE
- OTHER _____

CONTROL:

- THREE SPEED SWITCH (3PS)

HOUSING FINISH:

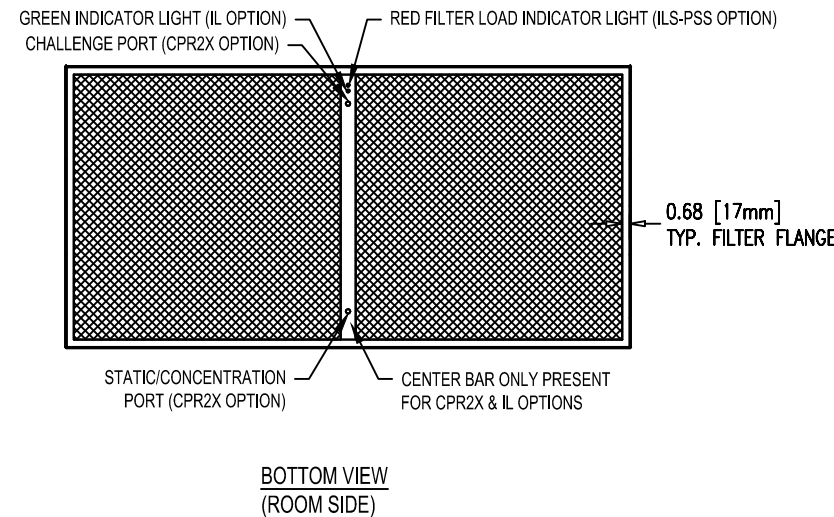
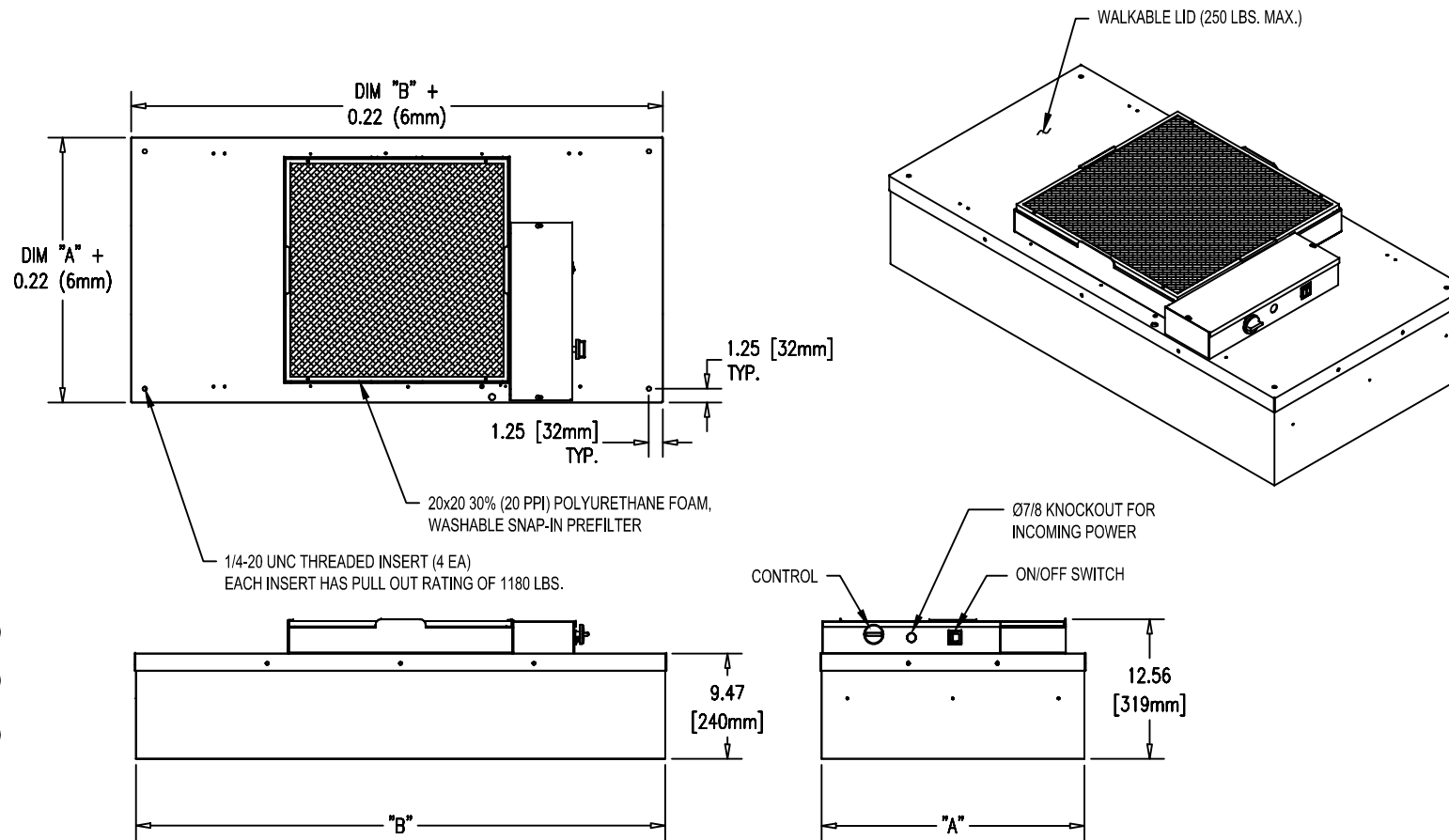
- MIL FINISH ALUMINUM (STANDARD)
- POWER COAT PAINT (WHITE)
- 304 STAINLESS STEEL (ADD 3/8" TO OVERALL HEIGHT)

OPTIONS:

- 10" (254 mm) ALUM. DUCT COLLAR (11231-001 SHIPPED LOOSE)
- 12" (305 mm) ALUM. DUCT COLLAR (11231-002 SHIPPED LOOSE)
- 14" (355 mm) ALUM. DUCT COLLAR (11231-003 SHIPPED LOOSE)
- POWER CORD - 115V ONLY (SHIPPED LOOSE)
(NOT ACCEPTABLE FOR PLENUM APPLICATIONS)
- IL - "GREEN" INDICATOR LIGHT
(ON = MOTOR RUNNING; OFF = MOTOR FAILURE)
- ILS-PSS - "RED" FILTER LOAD INDICATOR LIGHT
(ON = TIME TO CHANGE FILTER)
- CPR2X - (1) 3/8" ROOMSIDE CHALLENGE PORT AND
(1) 3/8" STATIC/CONCENTRATION PORT
- 20 x 20 x 2" (50.8 mm) PLEATED PRE-FILTER G-4 (SHIPS LOOSE)
- 0-10V OUTPUT SIGNAL WITH PRESSURE TRANSMITTER
FOR CONTINUOUS FILTER MONITORING.
- 3/4" KNIFE EDGE FOR CEILING GRID WITH GEL SEAL
(ADD 3/4" TO OVERALL HEIGHT)

CERTIFICATION:

- UL 507 LISTED (E152685)
- CE CERTIFIED



FILTER SIZE (OD)		NOMINAL FILTER SIZE	APPROX. WEIGHT
DIM "A" in (mm)	DIM "B" in (mm)		
<input type="checkbox"/> 23.63 (600)	47.63 (1210)	2X4	(ALUM.)
<input type="checkbox"/> 23.50 (597)	47.50 (1207)		66 lbs
<input type="checkbox"/> 23.25 (591)	47.25 (1200)		30 Kgs
<input type="checkbox"/> 23.13 (588)	47.13 (1197)		(SST)
<input type="checkbox"/> 23.00 (584)	47.00 (1194)		76 lbs
<input type="checkbox"/> 23.03 (585)	46.63 (1185)		35 Kgs
<input type="checkbox"/>		**OTHER	N/A

** CONTACT MFG. TO INSURE SIZE AVAILABILITY.

SIGNATURE _____

DATE _____

COMPANY _____

PROJECT _____

P.O. _____



101 McNeill Rd,
Sanford, NC 27330
PHONE: 919-775-2201
PHONE: 1-800-884-0002
FAX: 1-800-458-2379
www.envirco.com
email: envirco@envirco.com

**MAC10 LEAC
STANDARD**

UNLESS SPECIFIED,
ALL DIMENSIONS
ARE IN INCHES.
TOLERANCE
.XX±.03 .XXX±.015
ANGULAR ±1°
UNLESS NOTED

THIS DRAWING IS THE PROPERTY
OF ENVIRCO, AND MAY NOT
BE REPRODUCED OR PUBLISHED
WITHOUT AUTHORIZATION FROM
ENVIRCO.
COPYRIGHT 2010 ENVIRCO

DRAWING NO: 8000004	
DATE: 7-17-12	DRAWN BY: AMO
REV: A	REV DATE:
DESIGN PLAN: ECN-51462	