

**HOUSING STYLE:**

- RSR - FILTER ONLY ROOMSIDE REMOVABLE
- RSRE - FILTER, BAFFLE, AND MOTOR ROOMSIDE REMOVABLE

**MOTOR: ECM BACKWARD INCLINED MOTOR/BLOWER**

- 115V, 50/60 Hz, 1 PHASE, 2.75 FLA (2X2 = 5.0 FLA)
- 208-240V, 50/60 Hz, 1 PHASE, 1.75 FLA (2X2 = 3.0 FLA)
- 277V, 60 Hz, 1 PHASE, 1.35 FLA (2X2 = 2.5 FLA)

**FILTER:**

- HEPA 99.99% @ 0.3 MICRON, 53mm, UL 900 (STANDARD)
- HEPA 99.99% @ 0.3 MICRON, 100mm, UL 900 (STANDARD)
- ULPA 99.9995% @ 0.12 MICRON (U15), 53mm, UL 900
- ULPA 99.9995% @ 0.12 MICRON (U15), 100mm, UL 900
- PTFE
- OTHER \_\_\_\_\_

**CONTROL:**

- UNIVERSAL CONTROL CARD - DIP SWITCH SELECTABLE (CON4)  
- MANUAL SPEED CONTROL (STD. FACTORY PRE-SET)  
- 0 - 10 VOLT INPUT  
- MODBUS RTU NETWORK
- ROOM SIDE INFARED SPEED CONTROL (IR)
- REMOTE MOUNTED VISUAL CONTROL UNIT (CSL)

**HOUSING FINISH:**

- MIL FINISH ALUMINUM (STANDARD)
- POWER COAT PAINT (WHITE)
- 304 STAINLESS STEEL (ADD 3/8" TO OVERALL HEIGHT)

**SCREEN FINISH:**

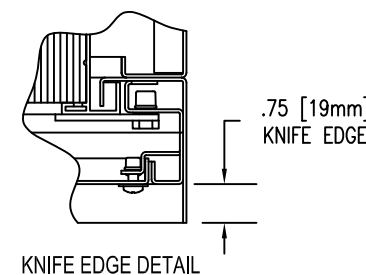
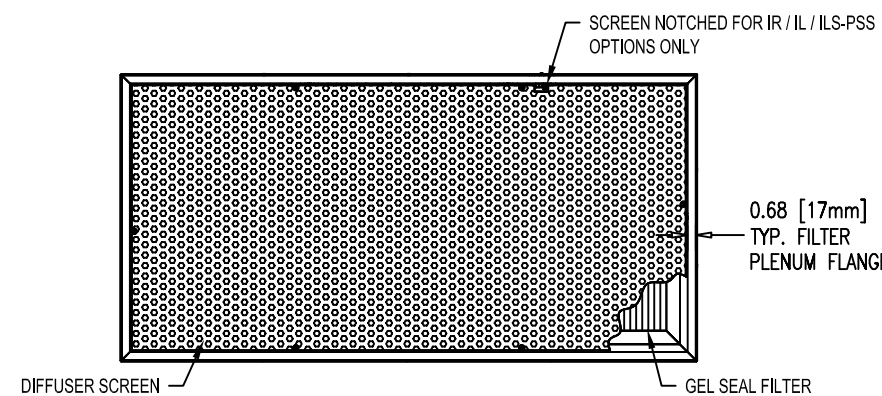
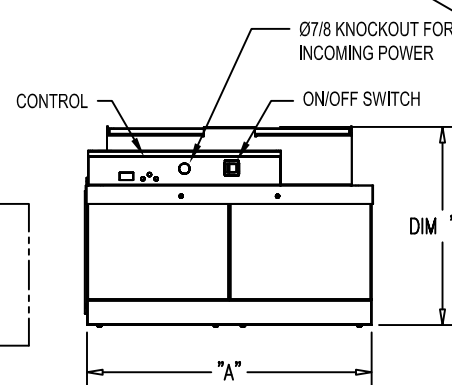
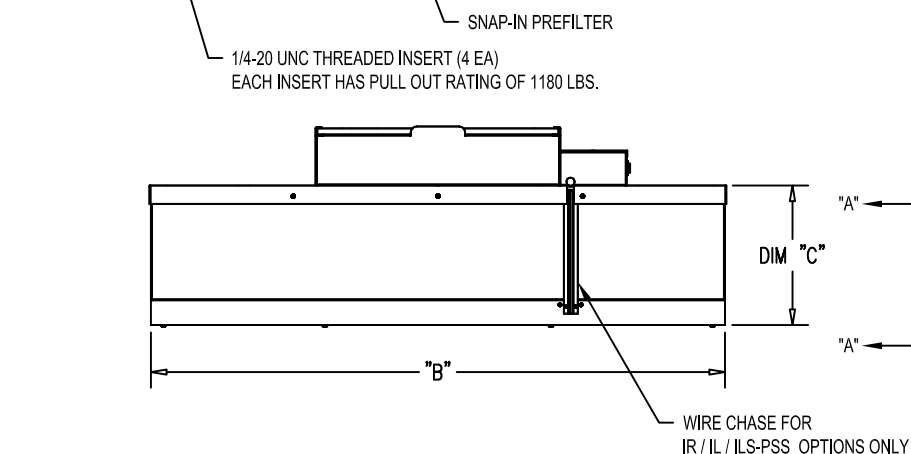
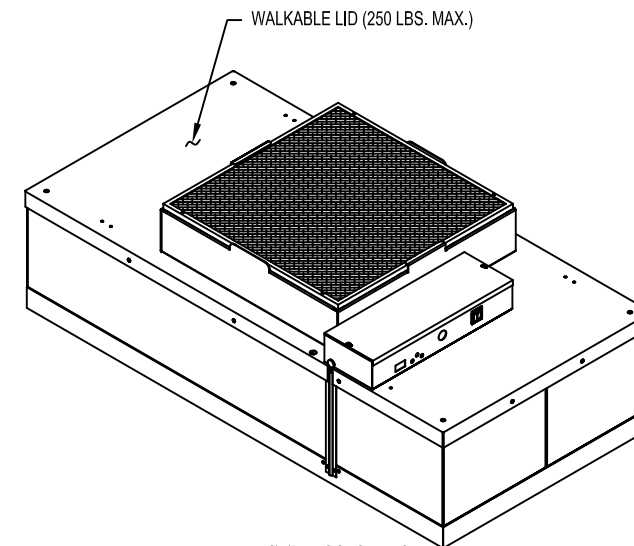
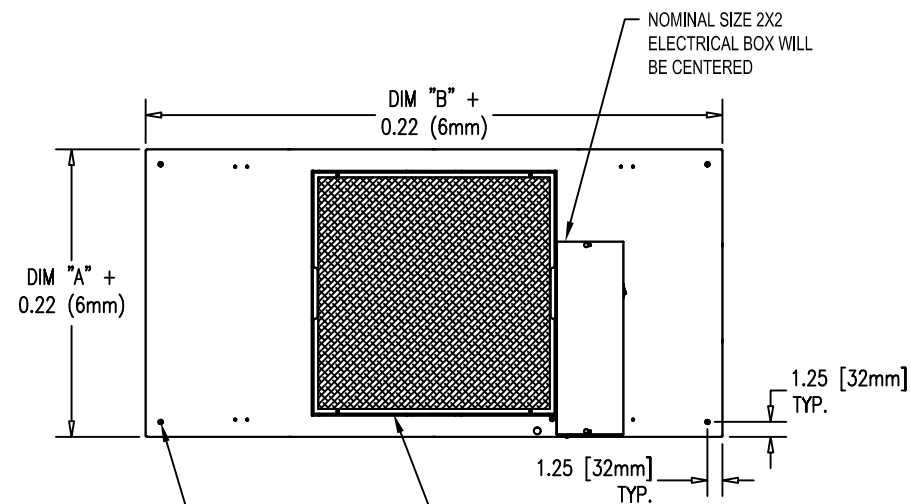
- ANODIZED ALUMINUM (STANDARD)
- POWER COAT PAINT (WHITE)
- 304 STAINLESS STEEL

**OPTIONS:**

- 10" (254 mm) ALUM. DUCT COLLAR (11231-001 SHIPPED LOOSE)
- 12" (305 mm) ALUM. DUCT COLLAR (11231-002 SHIPPED LOOSE)
- 14" (355 mm) ALUM. DUCT COLLAR (11231-003 SHIPPED LOOSE)
- POWER CORD - 115V ONLY (SHIPPED LOOSE)  
(NOT ACCEPTABLE FOR PLENUM APPLICATIONS)
- IL - "GREEN" INDICATOR LIGHT  
(ON = MOTOR RUNNING; OFF = MOTOR FAILURE)
- ILS-PSS - "RED" FILTER LOAD INDICATOR LIGHT  
(ON = TIME TO CHANGE FILTER)
- CPR2X - (1) 1/8" FNPT ROOMSIDE CHALLENGE PORT AND  
(1) 1/8" FNPT STATIC/CONCENTRATION PORT
- 20 x 20 x 2" (50.8 mm) PLEATED PRE-FILTER G-4 (SHIPS LOOSE)  
(NOT AVAILABLE ON THE 2X2)
- 0-10V OUTPUT SIGNAL WITH PRESSURE TRANSMITTER  
FOR CONTINUOUS FILTER MONITORING.
- 3/4" KNIFE EDGE FOR CEILING GRID WITH GEL SEAL  
(ADD 3/4" TO OVERALL HEIGHT)

**CERTIFICATION:**

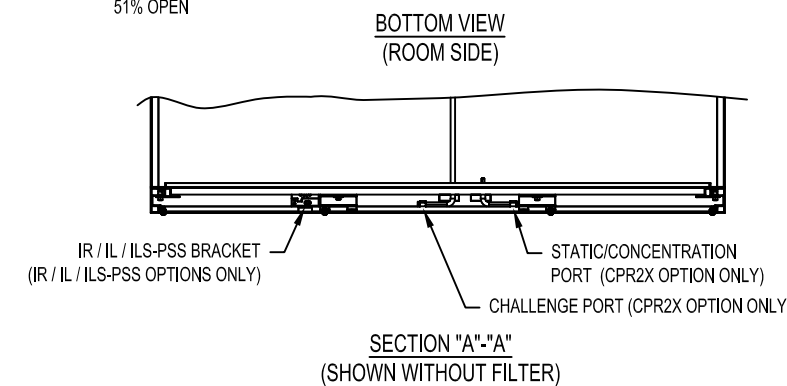
- UL 507 LISTED (E152685)
- CE CERTIFIED



| DIM "C"<br>in (mm) | DIM "D"<br>in (mm) | PLEAT<br>DEPTH |
|--------------------|--------------------|----------------|
| 11.58 (294)        | 16.43 (417)        | 53MM           |
| 13.08 (332)        | 17.93 (455)        | 100MM          |

| FILTER SIZE (OD)                     |                                       | NOMINAL<br>FILTER<br>SIZE | APPROX.<br>WEIGHT |
|--------------------------------------|---------------------------------------|---------------------------|-------------------|
| DIM "A"<br>in (mm)                   | DIM "B"<br>in (mm)                    |                           |                   |
| <input type="checkbox"/> 23.63 (600) | <input type="checkbox"/> 47.63 (1210) | 2X4                       | (ALUM.)           |
| <input type="checkbox"/> 23.50 (597) | <input type="checkbox"/> 47.50 (1207) |                           | 71 lbs            |
| <input type="checkbox"/> 23.25 (591) | <input type="checkbox"/> 47.25 (1200) |                           | 32 Kgs            |
| <input type="checkbox"/> 23.13 (588) | <input type="checkbox"/> 47.13 (1197) |                           | (SST)             |
| <input type="checkbox"/> 23.00 (584) | <input type="checkbox"/> 47.00 (1194) |                           | 81 lbs            |
| <input type="checkbox"/> 23.03 (585) | <input type="checkbox"/> 46.63 (1185) |                           | 37 Kgs            |
| <input type="checkbox"/> 23.63 (600) | <input type="checkbox"/> 41.63 (1057) | 2X3.5                     | (ALUM.)           |
| <input type="checkbox"/> 23.50 (597) | <input type="checkbox"/> 41.50 (1054) |                           | 62 lbs            |
| <input type="checkbox"/> 23.25 (591) | <input type="checkbox"/> 41.25 (1048) |                           | 28 Kgs            |
| <input type="checkbox"/> 23.13 (588) | <input type="checkbox"/> 41.13 (1045) |                           | (SST)             |
| <input type="checkbox"/> 23.00 (584) | <input type="checkbox"/> 41.00 (1041) |                           | 72 lbs            |
| <input type="checkbox"/> 23.03 (585) | <input type="checkbox"/> 40.75 (1035) |                           | 33 Kgs            |
| <input type="checkbox"/> 23.63 (600) | <input type="checkbox"/> 35.63 (905)  | 2X3                       | (ALUM.)           |
| <input type="checkbox"/> 23.50 (597) | <input type="checkbox"/> 35.50 (902)  |                           | 54 lbs            |
| <input type="checkbox"/> 23.25 (591) | <input type="checkbox"/> 35.25 (895)  |                           | 24 Kgs            |
| <input type="checkbox"/> 23.13 (588) | <input type="checkbox"/> 35.13 (892)  |                           | (SST)             |
| <input type="checkbox"/> 23.00 (584) | <input type="checkbox"/> 35.00 (889)  |                           | 64 lbs            |
| <input type="checkbox"/> 23.03 (585) | <input type="checkbox"/> 34.84 (885)  |                           | 29 Kgs            |
| <input type="checkbox"/> 23.63 (600) | <input type="checkbox"/> 23.63 (600)  | 2X2                       | (ALUM.)           |
| <input type="checkbox"/> 23.50 (597) | <input type="checkbox"/> 23.50 (597)  |                           | 44 lbs            |
| <input type="checkbox"/> 23.25 (591) | <input type="checkbox"/> 23.25 (591)  |                           | 20 Kgs            |
| <input type="checkbox"/> 23.13 (588) | <input type="checkbox"/> 23.13 (588)  |                           | (SST)             |
| <input type="checkbox"/> 23.00 (584) | <input type="checkbox"/> 23.00 (584)  |                           | 54 lbs            |
| <input type="checkbox"/> 23.03 (585) | <input type="checkbox"/> 23.03 (585)  |                           | 24 Kgs            |
| <input type="checkbox"/>             | <input type="checkbox"/>              | **OTHER                   | N/A               |

\*\* CONTACT MFG. TO INSURE SIZE AVAILABILITY.



SIGNATURE \_\_\_\_\_

DATE \_\_\_\_\_

COMPANY \_\_\_\_\_

PROJECT \_\_\_\_\_

P.O. \_\_\_\_\_



101 McNeill Rd,  
Sanford, NC 27330  
PHONE: 919-775-2201  
PHONE: 1-800-884-0002  
FAX: 1-800-458-2379  
www.envirco.com  
email: envirco@envirco.com

**MAC10 LEDC  
RSR/RSRE**

UNLESS SPECIFIED,  
ALL DIMENSIONS  
ARE IN INCHES.  
TOLERANCE  
.XX±.03 .XXX±.015  
ANGULAR ±1°  
UNLESS NOTED

THIS DRAWING IS THE PROPERTY  
OF ENVIRCO, AND MAY NOT  
BE REPRODUCED OR PUBLISHED  
WITHOUT AUTHORIZATION FROM  
ENVIRCO.  
COPYRIGHT 2010 ENVIRCO

DRAWING NO: 8000007

DATE: 7-17-12

DRAWN BY: AMO

REV: A

REV DATE: 7-17-17

DESIGN PLAN  
ECN-51462