

MOTOR: ECM MOTOR / FORWARD CURVE BLOWER

- 115V, 60 Hz, 1 PHASE, 5.0 FLA
- 208-240V, 50/60 Hz, 1 PHASE, 3.0 FLA
- 277V, 60 Hz, 1 PHASE, 2.5 FLA

FILTER:

- HEPA 99.99% @ 0.3 MICRON UL 900 (STANDARD)
- UL PA 99.995% @ 0.12 MICRON (U15) UL 900
- PTFE
- OTHER _____

CONTROL:

- UNIVERSAL CONTROL CARD - DIP SWITCH SELECTABLE (CON4)
- MANUAL SPEED CONTROL (STD. FACTORY PRE-SET)
- 0-10 VOLT INPUT
- MODBUS RTU NETWORK

- ROOM SIDE INFERRED SPEED CONTROL (IR)
- REMOTE MOUNTED VISUAL CONTROL UNIT (CSL)

HOUSING FINISH:

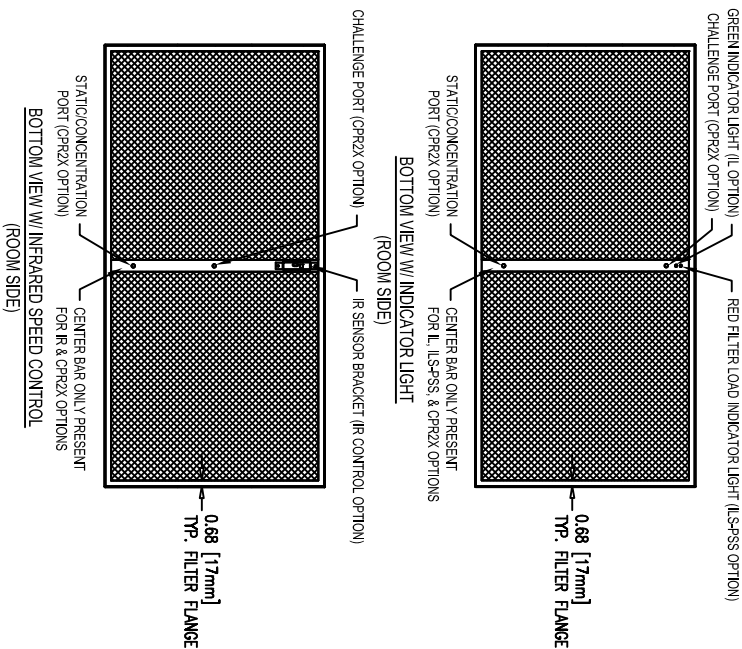
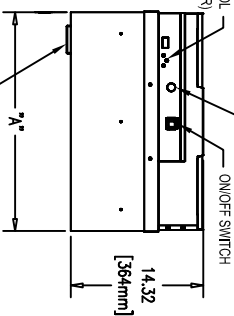
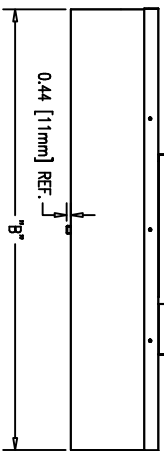
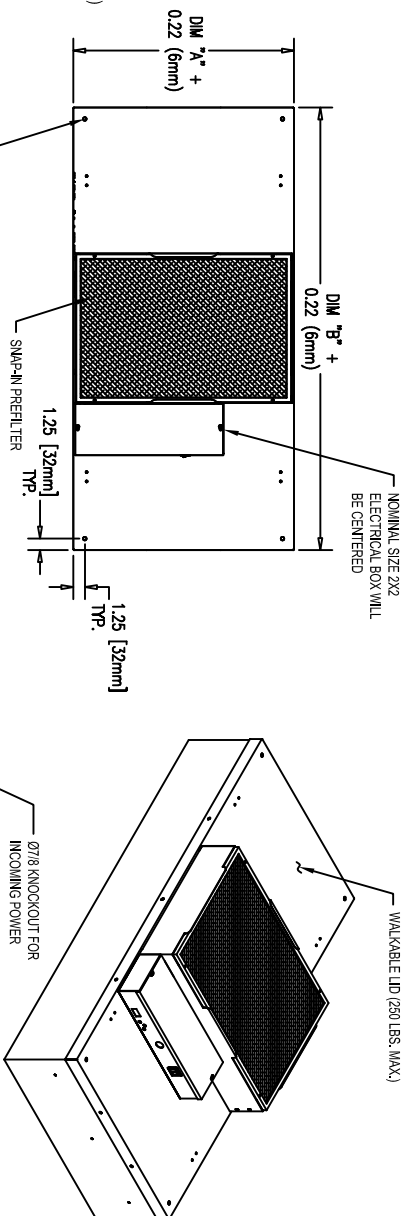
- MIL FINISH ALUMINUM (STANDARD)
- POWER COAT PAINT (WHITE)
- 304 STAINLESS STEEL (ADD 3/8" TO OVERALL HEIGHT)

OPTIONS:

- 10" (254 mm) ALUM. DUCT COLLAR (10691 SHIPPED LOOSE)
- 12" (305 mm) ALUM. DUCT COLLAR (10789 SHIPPED LOOSE)
- POWER CORD - 115V/ ONLY (SHIPPED LOOSE) (NOT ACCEPTABLE FOR PLENUM APPLICATIONS)
- IL - GREEN INDICATOR LIGHT (ON = MOTOR RUNNING; OFF = MOTOR FAILURE)
- ILS-PSS - RED FILTER LOAD INDICATOR LIGHT (ON = TIME TO CHANGE FILTER)
- CPRX2 - (1) 3/8" ROOMSIDE CHALLENGE PORT AND (1) 3/8" STATIC CONCENTRATION PORT
- 0-10V OUTPUT SIGNAL WITH PRESSURE TRANSMITTER FOR CONTINUOUS FILTER MONITORING.
- 3/4" KNIFE EDGE FOR CEILING GRID WITH GEL SEAL (ADD 3/4" TO OVERALL HEIGHT)

CERTIFICATION:

- UL 507 LISTED (E152865)
- CE CERTIFIED



MAC10 IQ STANDARD

FILTER SIZE (OD)		NOMINAL FILTER SIZE	APPROX. WEIGHT
DIM 'A' In (mm)	DIM 'B' In (mm)		
23.63 (600)	47.63 (1210)	2X4	(ALUM.) 66 lbs
23.50 (597)	47.50 (1207)		30 Kgs
23.25 (591)	47.25 (1200)		(SST) 76 lbs
23.13 (588)	47.13 (1197)	2X3.5	(SST) 35 Kgs
23.00 (584)	47.00 (1194)		(ALUM.) 58 lbs
23.03 (585)	46.83 (1185)		26 Kgs
23.63 (600)	41.63 (1057)	2X3	(ALUM.) 68 lbs
23.50 (597)	41.50 (1054)		31 Kgs
23.25 (591)	41.25 (1048)		(ALUM.) 52 lbs
23.13 (588)	41.13 (1045)	2X2	24 Kgs
23.00 (584)	41.00 (1041)		(SST) 62 lbs
23.03 (585)	40.75 (1035)		(ALUM.) 29 Kgs
23.63 (600)	35.63 (905)	N/A	(ALUM.) 51 lbs
23.50 (597)	35.50 (902)		19 Kgs
23.25 (591)	35.25 (895)		(SST) 41 lbs
23.13 (588)	35.13 (892)	N/A	(SST) 24 Kgs
23.00 (584)	35.00 (889)		(ALUM.) 29 Kgs
23.03 (585)	34.84 (885)		(ALUM.) 29 Kgs

** CONTRACT MFG. TO INSURE SIZE AVAILABILITY.

SIGNATURE _____

DATE _____

COMPANY _____

PROJECT _____

P.O. _____

UNLESS SPECIFIED, ALL DIMENSIONS ARE IN INCHES. TOLERANCE XX.43 .03 XX.43 .015 ANGULAR ±1° UNLESS NOTED

THIS DRAWING IS THE PROPERTY OF ENVIRCO, AND MAY NOT BE REPRODUCED OR PUBLISHED WITHOUT AUTHORIZATION FROM ENVIRCO.

DRAWING NO: **8000002**

DATE: 7-17-12

DESIGNER: _____

REVISION: _____

DATE: _____

BY: _____

DATE: _____

DESIGNER: _____

REVISION: _____

DATE: _____

BY: _____

DATE: _____

101 Mitchell Rd.
Sartford, NC 27330
PHONE: 919-775-2201
PHONE: 1-800-884-0002
FAX: 1-800-456-2379
www.envirco.com
email: envirco@envirco.com



Copyright 2010 Enviroco