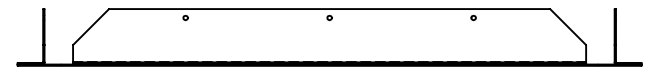
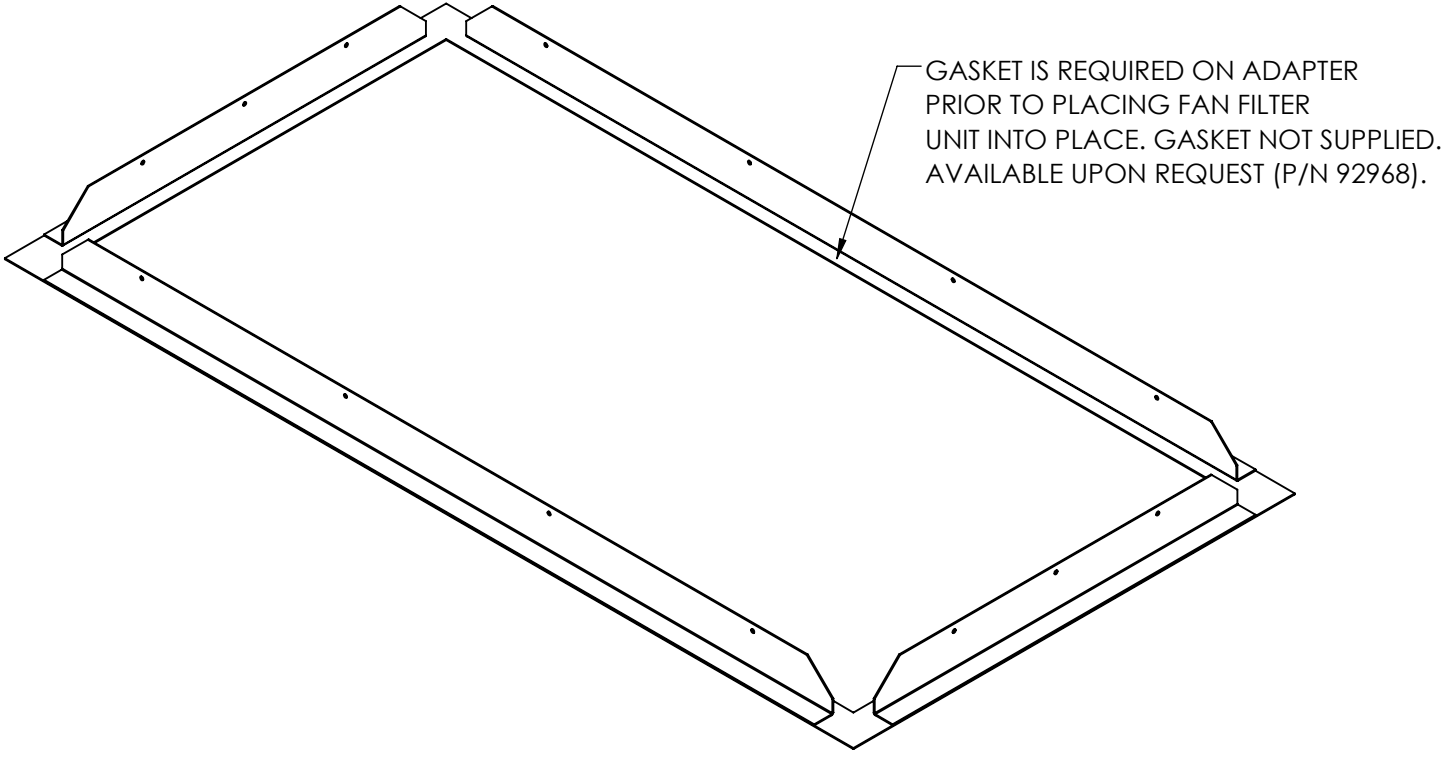
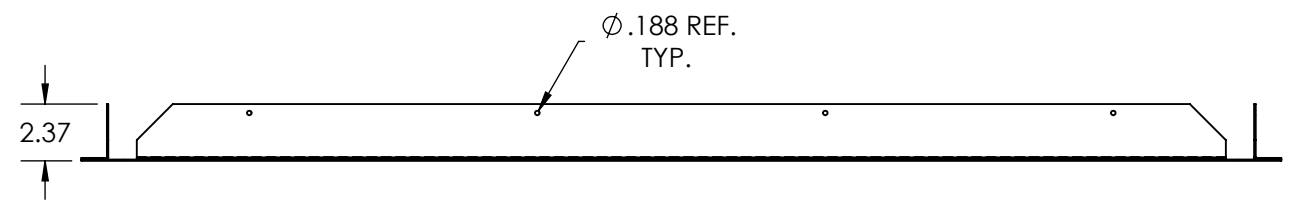
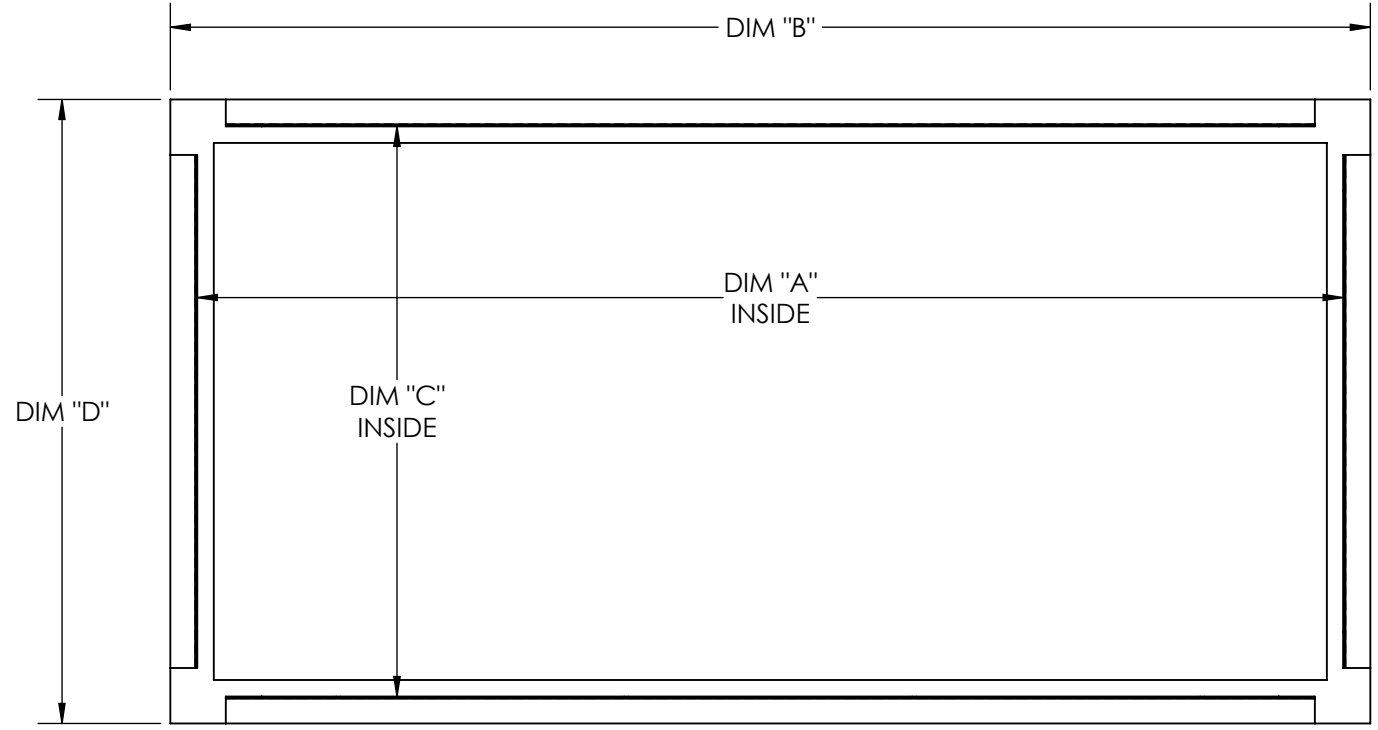


PART NO.	DIM "A"	DIM "B"	DIM "C"	DIM "D"	DESCRIPTION
266824-001	47.75	50.00	23.75	26.00	2X4 SHEET ROCK ADAPTER, PAINTED STEEL POWDER COAT WHITE
266824-002	41.75	44.00	23.75	26.00	2X3.5 SHEET ROCK ADAPTER, PAINTED STEEL POWDER COAT WHITE
266824-003	35.75	38.00	23.75	26.00	2X3 SHEET ROCK ADAPTER, PAINTED STEEL POWDER COAT WHITE
266824-004	23.75	26.00	23.75	26.00	2X2 SHEET ROCK ADAPTER, PAINTED STEEL POWDER COAT WHITE
266824-007	47.75	50.00	47.75	50.00	4X4 SHEET ROCK ADAPTER, PAINTED STEEL POWDER COAT WHITE
64141-001S	47.75	50.00	23.75	26.00	2X4 SHEET ROCK ADAPTER, T-304 SST - #3 FINISH
64141-002S	41.75	44.00	23.75	26.00	2X3.5 SHEET ROCK ADAPTER, T-304 SST - #3 FINISH
64141-003S	35.75	38.00	23.75	26.00	2X3 SHEET ROCK ADAPTER, T-304 SST - #3 FINISH
64141-004S	23.75	26.00	23.75	26.00	2X2 SHEET ROCK ADAPTER, T-304 SST - #3 FINISH
64141-005S	47.75	50.00	47.75	50.00	4X4 SHEET ROCK ADAPTER, T-304 SST - #3 FINISH
64141-001S316	47.75	50.00	23.75	26.00	2X4 SHEET ROCK ADAPTER, T-316 SST - #3 FINISH
64141-002S316	41.75	44.00	23.75	26.00	2X3.5 SHEET ROCK ADAPTER, T-316 SST - #3 FINISH
64141-003S316	35.75	38.00	23.75	26.00	2X3 SHEET ROCK ADAPTER, T-316 SST - #3 FINISH
64141-004S316	23.75	26.00	23.75	26.00	2X2 SHEET ROCK ADAPTER, T-316 SST - #3 FINISH
64141-005S316	47.75	50.00	47.75	50.00	4X4 SHEET ROCK ADAPTER, T-316 SST - #3 FINISH

REV.	DESCRIPTION	BY	DATE
~	PRODUCTION RELEASE;ECN-51787A	AMO	11/26/2012
A	UPDATED PICTORIAL; UPDATED SST PART NUMBERS; ECN-51975A	AMO	4/19/13
B	DESCRIPTION; PAINTED STEEL POWDER COAT WHITE WAS POWDER COAT WHITE; ECN-52070.	RCH	7/2/13
C	PART NUMBERS 266825-001 THRU -004 WAS 64141-001S THRU 64141-004S. ECN-51787D	DAR	10/2/13
D	P/N's 64141-001S THRU -004S WAS 266825-001 THRU 266825-004. ADDED 64141-001S316 THRU -004S316. ECN-52412	BJS	7/30/14
E	ADDED GASKET NOTE;ECN-52970	BJS	3-10-16
F	ADDED P/N'S 64141-005S, 266824-007& 64141-005S316; ECN-53190	MEW	9/26/16



DIMENSIONS ARE IN INCHES		MATERIAL:		ENVIRCO Innovators in clean air technology			SHEET ROCK ADAPTER MAC10's		REV F
TOLERANCES-UNLESS OTHERWISE SPECIFIED								SCALE 1:8	
.X OR X/X ±.05	CONC .005 TIR	SHEAR SIZE	SQ FT	U/M	DRN	AMO	CRD	DAR	SHEET 1/1
.XX ±.03	BEND RAD: DWG 122223	x		EA	11/26/2012	11/26/2012	11/26/2012		
.XXX ±.015	FINISH: NONE								
ANGULAR ±1°	REMOVE BURRS AND SHARPS								
DWG TITLE							8000010		