

MOTOR: BACKWARD CURVED MOTORIZED IMPELLER

- 115V, 60 Hz, 1 PHASE, 1.80 FLA
- 277V, 60 Hz, 1 PHASE, 0.80 FLA

FILTER:

- HEPA 99.99% @ 0.3 MICRON UL 900 (STANDARD)
- ULPA 99.9995% @ 0.12 MICRON (U15) UL 900
- PTFE
- OTHER _____

CONTROL:

- SOLID STATE SPEED CONTROL (SC) (STANDARD)
- REMOTE MOUNTED SPEED CONTROL (SCSL)
- NETWORK CONTROL CARD (ENAC)

HOUSING FINISH:

- MIL FINISH ALUMINUM (STANDARD)
- POWDER COAT PAINT (WHITE)
- 304 STAINLESS STEEL (ADD 3/8" TO OVERALL HEIGHT)

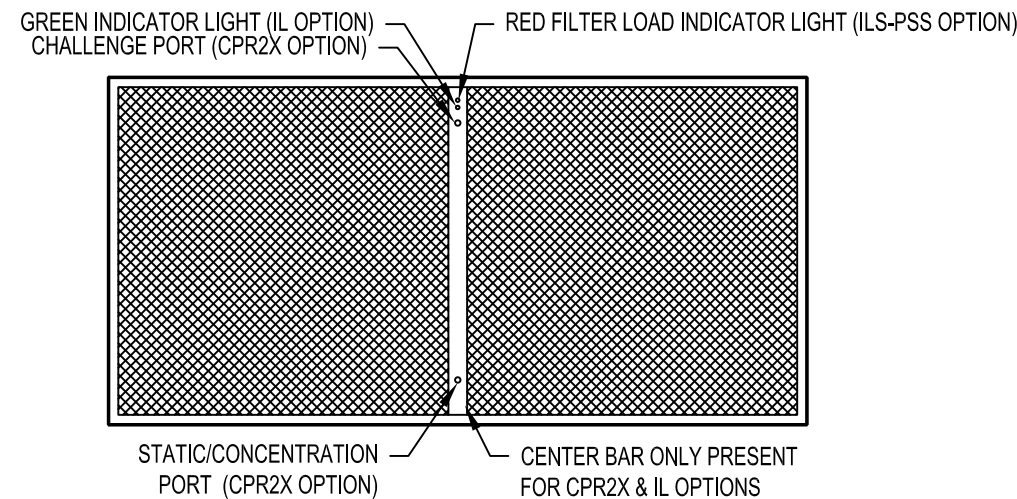
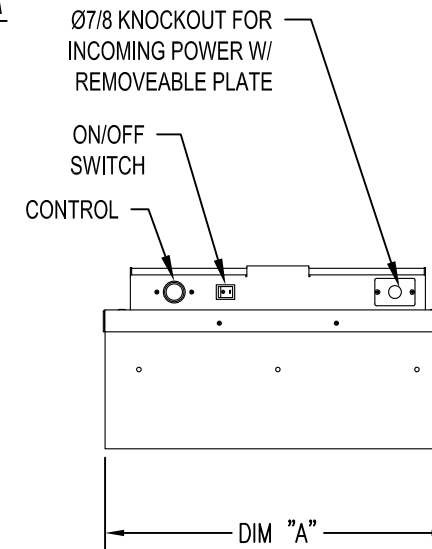
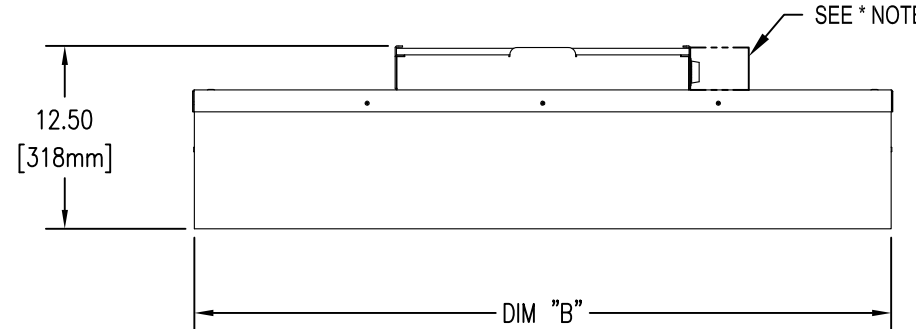
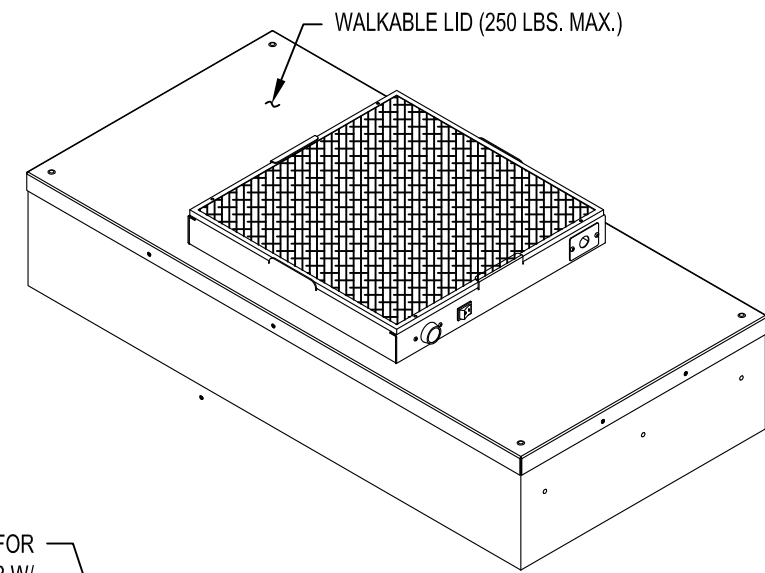
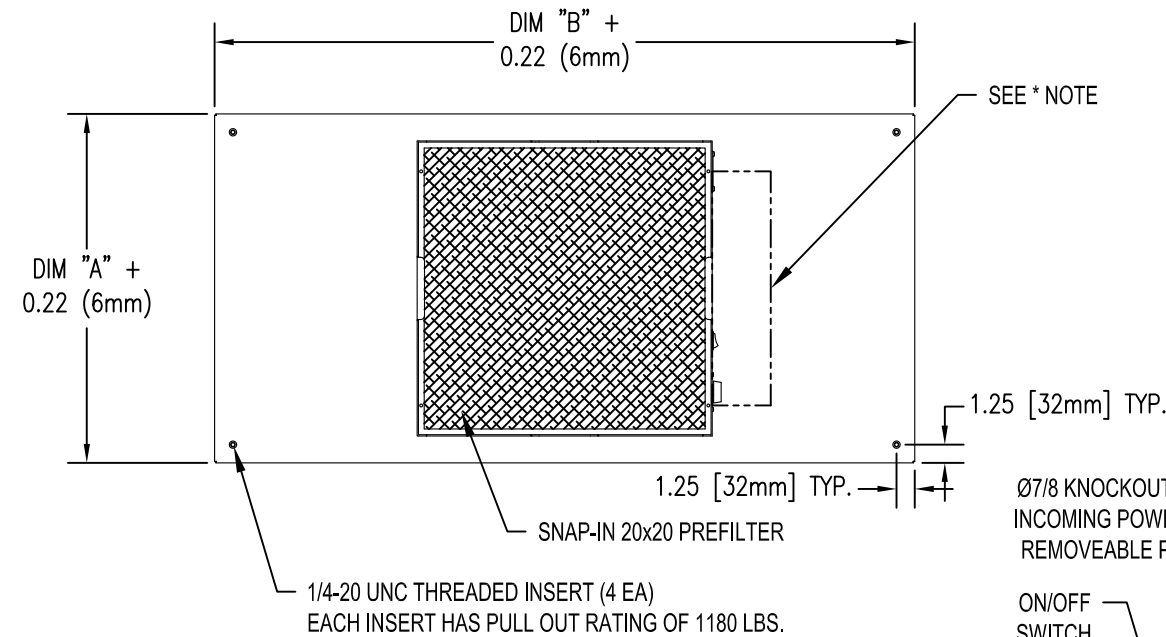
OPTIONS:

- 10" (254 mm) ALUM. DUCT COLLAR (10691 SHIPPED LOOSE)
- 12" (305 mm) ALUM. DUCT COLLAR (10789 SHIPPED LOOSE)
- POWER CORD - 115V ONLY (SHIPPED LOOSE) (NOT ACCEPTABLE FOR PLENUM APPLICATIONS)
- IL - "GREEN" INDICATOR LIGHT (ON = MOTOR RUNNING; OFF = MOTOR FAILURE)
- ILS-PSS - "RED" FILTER LOAD INDICATOR LIGHT (ON = TIME TO CHANGE FILTER)
- CPR2X - (1) 3/8" ROOMSIDE CHALLENGE PORT AND (1) 3/8" STATIC/CONCENTRATION PORT
- 0-10V OUTPUT SIGNAL WITH PRESSURE TRANSMITTER FOR CONTINUOUS FILTER MONITORING.
- 3/4" KNIFE EDGE FOR CEILING GRID WITH GEL SEAL (ADD 3/4" TO OVERALL HEIGHT)

CERTIFICATION:

- UL 507 LISTED (E152685)

* NOTE: THE ADDITION OF AN EXTERNAL ELECTRICAL BOX MAY BE REQUIRED FOR SOME OR MULTIPLE OPTIONS



BOTTOM VIEW (ROOM SIDE)

FILTER SIZE (OD)		NOMINAL FILTER SIZE	APPROX. WEIGHT
DIM "A" in (mm)	DIM "B" in (mm)		
<input type="checkbox"/> 23.63 (600)	47.63 (1210)	2X4	(ALUM.) 50 lbs
<input type="checkbox"/> 23.50 (597)	47.50 (1207)		23 Kgs (SST)
<input type="checkbox"/> 23.25 (591)	47.25 (1200)		58 lbs
<input type="checkbox"/> 23.13 (588)	47.13 (1197)		27 Kgs
<input type="checkbox"/> 23.00 (584)	47.00 (1194)		
<input type="checkbox"/> 23.03 (585)	46.63 (1185)		
<input type="checkbox"/> 23.63 (600)	41.63 (1057)	2X3.5	(ALUM.) 45 lbs
<input type="checkbox"/> 23.50 (597)	41.50 (1054)		20 Kgs (SST)
<input type="checkbox"/> 23.25 (591)	41.25 (1048)		52 lbs
<input type="checkbox"/> 23.13 (588)	41.13 (1045)		24 Kgs
<input type="checkbox"/> 23.00 (584)	41.00 (1041)		
<input type="checkbox"/> 23.03 (585)	40.75 (1035)		
<input type="checkbox"/> 23.63 (600)	35.63 (905)	2X3	(ALUM.) 42 lbs
<input type="checkbox"/> 23.50 (597)	35.50 (902)		19 Kgs (SST)
<input type="checkbox"/> 23.25 (591)	35.25 (895)		49 lbs
<input type="checkbox"/> 23.13 (588)	35.13 (892)		23 Kgs
<input type="checkbox"/> 23.00 (584)	35.00 (889)		
<input type="checkbox"/> 23.03 (585)	34.84 (885)		
<input type="checkbox"/> 23.63 (600)	23.63 (600)	2X2	(ALUM.) 35 lbs
<input type="checkbox"/> 23.50 (597)	23.50 (597)		16 Kgs (SST)
<input type="checkbox"/> 23.25 (591)	23.25 (591)		41 lbs
<input type="checkbox"/> 23.13 (588)	23.13 (588)		19 Kgs
<input type="checkbox"/> 23.00 (584)	23.00 (584)		
<input type="checkbox"/> 23.03 (585)	23.03 (585)		
<input type="checkbox"/>		**OTHER	N/A

** CONTACT MFG. TO INSURE SIZE AVAILABILITY.

SIGNATURE _____

DATE _____

COMPANY _____

PROJECT _____

P.O. _____



101 McNeill Rd,
Sanford, NC 27330
PHONE: 919-775-2201
PHONE: 1-800-884-0002
FAX: 1-800-458-2379
www.envirco.com
email: envirc@envirco.com

**MAC10 LEAC2
STANDARD**

UNLESS SPECIFIED, ALL DIMENSIONS ARE IN INCHES. TOLERANCE .XX±.03 .XXX±.015 ANGULAR ±1° UNLESS NOTED

THIS DRAWING IS THE PROPERTY OF ENVIRCO, AND MAY NOT BE REPRODUCED OR PUBLISHED WITHOUT AUTHORIZATION FROM ENVIRCO.
COPYRIGHT 2010 ENVIRCO

DRAWING NO: 8000015	
DATE: 12-18-14	DRAWN BY: AMO
REV: A	REV DATE: 11-21-17
DESIGN PLAN: ECN-52088A	