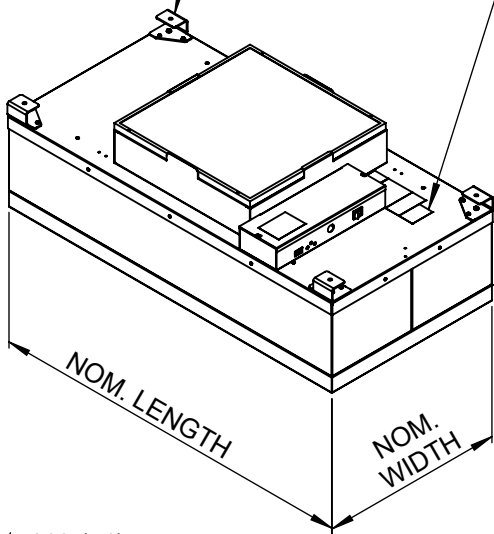


MAC10 IQ & LEDC OSHPD SUBMITTAL SHEET

OSHPD SEISMIC CERTIFICATION PRE-APPROVAL (OSP-0634-10)

SEISMIC HANGER BRACKET (x4)



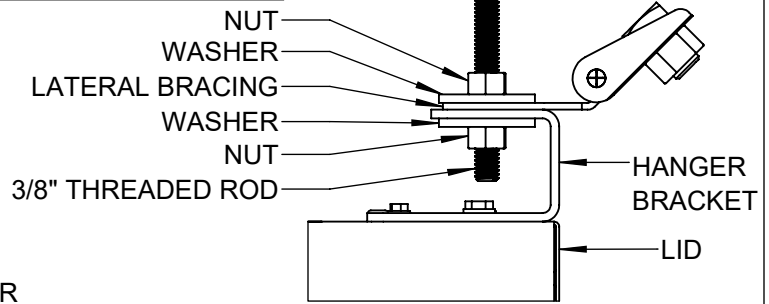
OSHPD LABEL WITH OSP NUMBER:

Manufacturer: Enviro – Johnson Controls
 Model Line: MAC10 IQ & MAC10 LEDC
 Product Type: Air Terminal Device
 Mounting: Base Mounted – Rigid
 Model Number: XXXXX-XXX

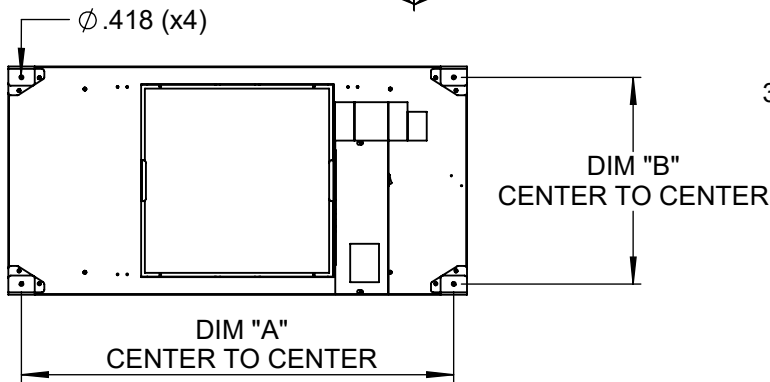
Seismic Certification Parameters
 Building Code: CBC 2019, IBC 2018
 S_{DS} , z/h , I_p : 2.0g for $z/h = 1.0$, 2.5g for $z/h = 0$,
 $\rho = 1.5$
 OSHPD OSP: OSP-0634-10

Additional installation of mounting brackets needed to meet OSHPD certification. See IOM for details.

INSTALLED BY OTHERS:



SEISMIC BRACING STACKUP DETAIL
SUGGESTED INSTALLATION



NOM. WIDTH	NOM. LENGTH	DIM "A"	DIM "B"	BRACKET KIT P/N (SEE NOTE 1)	LATERAL CABLE BRACING PER FFU (SEE NOTE 2)
2 FT.	4 FT.	45.03"	21.53"	270607-001	4
2 FT.	3.5 FT.	39.03"	21.53"	270607-001	4
2 FT.	3 FT.	33.03"	21.53"	270607-001	4
2 FT.	2 FT.	21.07"	21.63"	270608-001	8

NOTES:

- Hanger Bracket material: 12 ga. galvanized steel (Bracket kit sold separately from FFU. Field installation required.)
- Lateral cable bracing required as per OSP-0634-10 report (Mason SCB-0/SCBH-0 cable assembly supplied by others).
- To obtain site specific special seismic certificate, please complete this form and email completed form to techsupport@enviro.com. Please allow for 2 business days from request date to receive certificate.

PROJECT/PO NO.:		
SITE ADDRESS/COORDINATES:		
ENGINEER:		DRAWING #: 8000024
CUSTOMER:		DRAWN: CJS 5/21/20
SUBMITTAL DATE:		REV: ~ 5/21/20