

MOTOR: ECM MOTOR / FORWARD CURVE BLOWER

- 120V, 60 Hz, 1 PHASE, 5.0 FLA
- 208-240V, 50/60 Hz, 1 PHASE, 3.0 FLA
- 277V, 60 Hz, 1 PHASE, 2.5 FLA

FILTER:

- HEPA 99.99% @ 0.3 MICRON UL 900 (STANDARD)
- ULPA 99.9995% @ 0.12 MICRON (U15) UL 900
- PTFE
- OTHER _____

CONTROL:

- UNIVERSAL CONTROL CARD - DIP SWITCH SELECTABLE (CON4)
 - MANUAL SPEED CONTROL (STD. FACTORY PRE-SET)
 - 0 - 10 VOLT INPUT
 - MODBUS RTU NETWORK
- ROOM SIDE INFARED SPEED CONTROL (IR)
- REMOTE MOUNTED VISUAL CONTROL UNIT (CSL)

HOUSING FINISH:

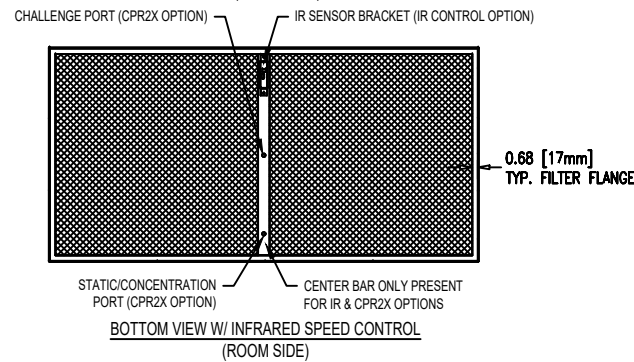
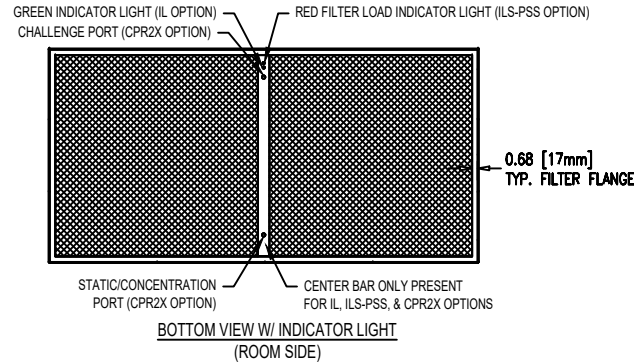
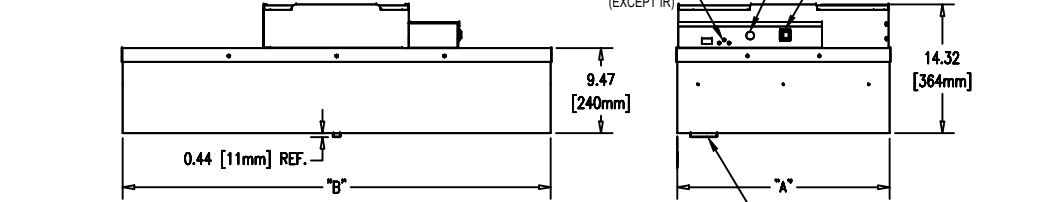
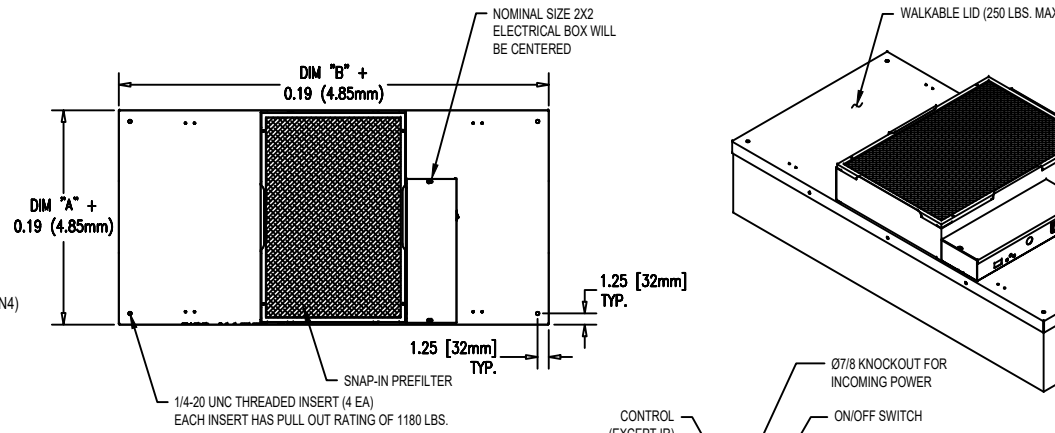
- MIL FINISH ALUMINUM (STANDARD)
- POWER COAT PAINT (WHITE)
- 304 STAINLESS STEEL (ADD 3/8" TO OVERALL HEIGHT)

OPTIONS:

- 10" (254 mm) ALUM. DUCT COLLAR (10691 SHIPPED LOOSE)
- 12" (305 mm) ALUM. DUCT COLLAR (10789 SHIPPED LOOSE)
- POWER CORD - 115V ONLY (SHIPPED LOOSE)
(NOT ACCEPTABLE FOR PLENUM APPLICATIONS)
- IL - "GREEN" INDICATOR LIGHT
(ON = MOTOR RUNNING; OFF = MOTOR FAILURE)
- ILS-PSS - "RED" FILTER LOAD INDICATOR LIGHT
(ON = TIME TO CHANGE FILTER)
- CPR2X - (1) 3/8" ROOMSIDE CHALLENGE PORT AND
(1) 3/8" STATIC/CONCENTRATION PORT
- 0-10V OUTPUT SIGNAL WITH PRESSURE TRANSMITTER
FOR CONTINUOUS FILTER MONITORING.
- 3/4" KNIFE EDGE FOR CEILING GRID WITH GEL SEAL
(ADD 3/4" TO OVERALL HEIGHT).

CERTIFICATION:

- UL 507 LISTED (E152685)
- CE CERTIFIED
- IBC and OSHPD Certification (OSP-0634-10)*
*Additional Hardware required, see submittal 8000024.



FILTER SIZE (OD)		NOMINAL FILTER SIZE	APPROX. WEIGHT
DIM "A" in (mm)	DIM "B" in (mm)		
<input type="checkbox"/> 23.63 (600)	47.63 (1210)	2X4	(ALUM.)
<input type="checkbox"/> 23.50 (597)	47.50 (1207)		66 lbs
<input type="checkbox"/> 23.25 (591)	47.25 (1200)		30 Kgs
<input type="checkbox"/> 23.13 (588)	47.13 (1197)		(SST)
<input type="checkbox"/> 23.00 (584)	47.00 (1194)		76 lbs
<input type="checkbox"/> 23.03 (585)	46.63 (1185)	35 Kgs	
<input type="checkbox"/> 23.63 (600)	41.63 (1057)	2X3.5	(ALUM.)
<input type="checkbox"/> 23.50 (597)	41.50 (1054)		58 lbs
<input type="checkbox"/> 23.25 (591)	41.25 (1048)		26 Kgs
<input type="checkbox"/> 23.13 (588)	41.13 (1045)		(SST)
<input type="checkbox"/> 23.00 (584)	41.00 (1041)		68 lbs
<input type="checkbox"/> 23.03 (585)	40.75 (1035)	31 Kgs	
<input type="checkbox"/> 23.63 (600)	35.63 (905)	2X3	(ALUM.)
<input type="checkbox"/> 23.50 (597)	35.50 (902)		52 lbs
<input type="checkbox"/> 23.25 (591)	35.25 (895)		24 Kgs
<input type="checkbox"/> 23.13 (588)	35.13 (892)		(SST)
<input type="checkbox"/> 23.00 (584)	35.00 (889)		62 lbs
<input type="checkbox"/> 23.03 (585)	34.84 (885)	29 Kgs	
<input type="checkbox"/> 23.63 (600)	23.63 (600)	2X2	(ALUM.)
<input type="checkbox"/> 23.50 (597)	23.50 (597)		51 lbs
<input type="checkbox"/> 23.25 (591)	23.25 (591)		19 Kgs
<input type="checkbox"/> 23.13 (588)	23.13 (588)		(SST)
<input type="checkbox"/> 23.00 (584)	23.00 (584)		41 lbs
<input type="checkbox"/> 23.03 (585)	23.03 (585)	24 Kgs	
		**OTHER	N/A

** CONTACT MFG. TO INSURE SIZE AVAILABILITY.

SIGNATURE _____

DATE _____

COMPANY _____

PROJECT _____

P.O. _____



101 McNeill Rd,
Sanford, NC 27330
PHONE: 919-775-2201
PHONE: 1-800-884-0002
FAX: 1-800-458-2379
www.envirco.com
email: envirco@envirco.com

**MAC10 IQ
STANDARD**

UNLESS SPECIFIED ALL DIMENSIONS ARE IN INCHES. TOLERANCE .XX±.03 .XXX±.015 ANGULAR ±1° UNLESS NOTED

THIS DRAWING IS THE PROPERTY OF ENVIRCO, AND MAY NOT BE REPRODUCED OR PUBLISHED WITHOUT AUTHORIZATION FROM ENVIRCO.
COPYRIGHT 2010 ENVIRCO

DRAWING NO: 8000002	
DATE: 7-17-12	DRAWN BY: AMO
REV: B	REV DATE: 7-21-20
DESIGN PLAN: ECN-51462	