

**HOUSING STYLE:**

- RSR - FILTER ONLY ROOMSIDE REMOVABLE
- RSRE - FILTER, BAFFLE, AND MOTOR ROOMSIDE REMOVABLE

**MOTOR:** ECM MOTOR / FORWARD CURVE BLOWER

- 120V, 60 Hz, 1 PHASE, 5.0 FLA
- 208-240V, 50/60 Hz, 1 PHASE, 3.0 FLA
- 277V, 60 Hz, 1 PHASE, 2.5 FLA

**FILTER:**

- HEPA 99.99% @ 0.3 MICRON UL 900 (STANDARD)
- ULPA 99.9995% @ 0.12 MICRON (U15) UL 900
- PTFE
- OTHER \_\_\_\_\_

**CONTROL:**

- UNIVERSAL CONTROL CARD - DIP SWITCH SELECTABLE (CON4)
  - MANUAL SPEED CONTROL (STD. FACTORY PRE-SET)
  - 0 - 10 VOLT INPUT
  - MODBUS RTU NETWORK
- ROOM SIDE INFARED SPEED CONTROL (IR)
- REMOTE MOUNTED VISUAL CONTROL UNIT (CSL)

**HOUSING FINISH:**

- MIL FINISH ALUMINUM (STANDARD)
- POWER COAT PAINT (WHITE)
- 304 STAINLESS STEEL (ADD 3/8" TO OVERALL HEIGHT)

**SCREEN FINISH:**

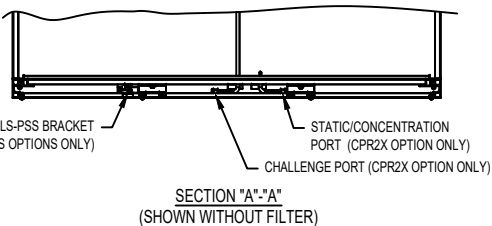
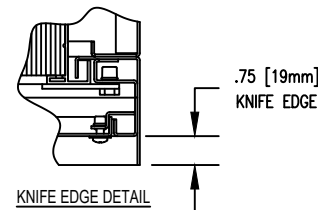
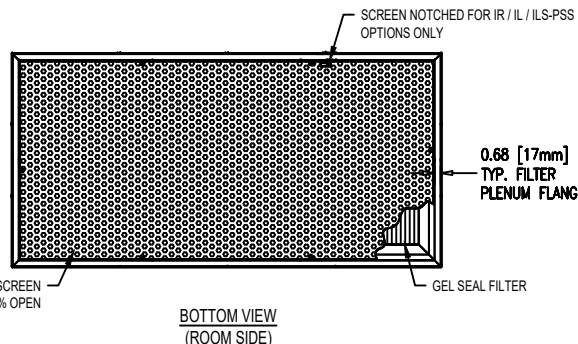
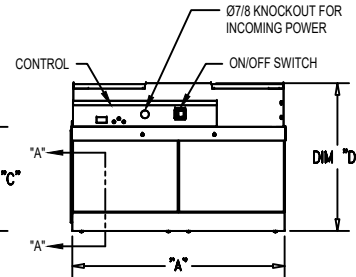
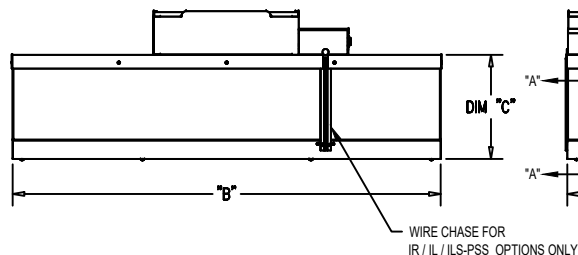
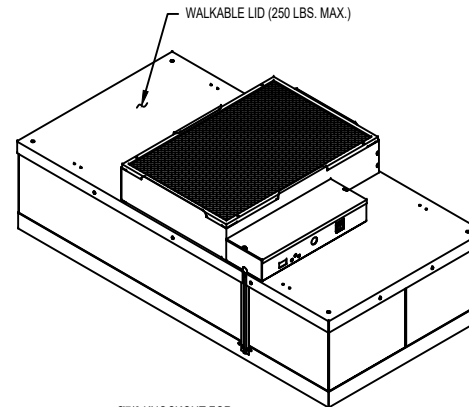
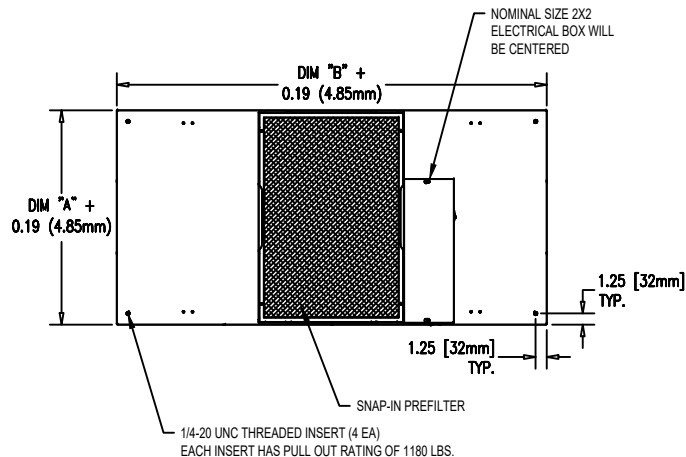
- ANODIZED ALUMINUM (STANDARD)
- POWER COAT PAINT (WHITE)
- 304 STAINLESS STEEL

**OPTIONS:**

- 10" (254 mm) ALUM. DUCT COLLAR (10691 SHIPPED LOOSE)
- 12" (305 mm) ALUM. DUCT COLLAR (10789 SHIPPED LOOSE)
- POWER CORD - 115V ONLY (SHIPPED LOOSE) (NOT ACCEPTABLE FOR PLENUM APPLICATIONS)
- IL - "GREEN" INDICATOR LIGHT (ON = MOTOR RUNNING; OFF = MOTOR FAILURE)
- ILS-PSS - "RED" FILTER LOAD INDICATOR LIGHT (ON = TIME TO CHANGE FILTER)
- CPR2X - (1) 1/8" FNPT ROOMSIDE CHALLENGE PORT AND (1) 1/8" FNPT STATIC/CONCENTRATION PORT
- 0-10V OUTPUT SIGNAL WITH PRESSURE TRANSMITTER FOR CONTINUOUS FILTER MONITORING.
- 3/4" KNIFE EDGE FOR CEILING GRID WITH GEL SEAL (ADD 3/4" TO OVERALL HEIGHT).

**CERTIFICATION:**

- UL 507 LISTED (E152685)
- CE CERTIFIED
- IBC and OSHPD Certification (OSP-0634-10)\*  
\*Additional Hardware required, see submittal 8000024.



DIM "C" in (mm)	DIM "D" in (mm)	PLEAT DEPTH
11.57 (294)	16.42 (417)	53mm
11.57 (294)	16.42 (417)	70mm
13.07 (332)	17.92 (455)	100mm

	FILTER SIZE (OD)		NOMINAL FILTER SIZE	APPROX. WEIGHT
	DIM "A" in (mm)	DIM "B" in (mm)		
<input type="checkbox"/>	23.63 (600)	47.63 (1210)	2X4	(ALUM.)
<input type="checkbox"/>	23.50 (597)	47.50 (1207)		71 lbs
<input type="checkbox"/>	23.25 (591)	47.25 (1200)		32 Kgs
<input type="checkbox"/>	23.13 (588)	47.13 (1197)		(SST)
<input type="checkbox"/>	23.00 (584)	47.00 (1194)		81 lbs
<input type="checkbox"/>	23.03 (585)	46.63 (1185)		37 Kgs
<input type="checkbox"/>	23.63 (600)	41.63 (1057)	2X3.5	(ALUM.)
<input type="checkbox"/>	23.50 (597)	41.50 (1054)		62 lbs
<input type="checkbox"/>	23.25 (591)	41.25 (1048)		28 Kgs
<input type="checkbox"/>	23.13 (588)	41.13 (1045)		(SST)
<input type="checkbox"/>	23.00 (584)	41.00 (1041)		72 lbs
<input type="checkbox"/>	23.03 (585)	40.75 (1035)		33 Kgs
<input type="checkbox"/>	23.63 (600)	35.63 (905)	2X3	(ALUM.)
<input type="checkbox"/>	23.50 (597)	35.50 (902)		54 lbs
<input type="checkbox"/>	23.25 (591)	35.25 (895)		24 Kgs
<input type="checkbox"/>	23.13 (588)	35.13 (892)		(SST)
<input type="checkbox"/>	23.00 (584)	35.00 (889)		64 lbs
<input type="checkbox"/>	23.03 (585)	34.84 (885)		29 Kgs
<input type="checkbox"/>	23.63 (600)	23.63 (600)	2X2	(ALUM.)
<input type="checkbox"/>	23.50 (597)	23.50 (597)		44 lbs
<input type="checkbox"/>	23.25 (591)	23.25 (591)		20 Kgs
<input type="checkbox"/>	23.13 (588)	23.13 (588)		(SST)
<input type="checkbox"/>	23.00 (584)	23.00 (584)		54 lbs
<input type="checkbox"/>	23.03 (585)	23.03 (585)		24 Kgs
<input type="checkbox"/>			**OTHER	N/A

\*\* CONTACT MFG. TO INSURE SIZE AVAILABILITY.

SIGNATURE \_\_\_\_\_

DATE \_\_\_\_\_

COMPANY \_\_\_\_\_

PROJECT \_\_\_\_\_

P.O. \_\_\_\_\_



101 McNeill Rd,  
Sanford, NC 27330  
PHONE: 919-775-2201  
PHONE: 1-800-884-0002  
FAX: 1-800-458-2379  
www.envirco.com  
email: envirco@envirco.com

**MAC10 IQ  
RSR/RSRE**

UNLESS SPECIFIED  
ALL DIMENSIONS  
ARE IN INCHES.  
TOLERANCE  
.XX±.03 .XXX±.015  
ANGULAR ±1°  
UNLESS NOTED

THIS DRAWING IS THE PROPERTY  
OF ENVIRCO, AND MAY NOT  
BE REPRODUCED OR PUBLISHED  
WITHOUT AUTHORIZATION FROM  
ENVIRCO.  
COPYRIGHT 2010 ENVIRCO

DRAWING NO: 8000003	
DATE: 7-17-12	DRAWN BY: AMO
REV: B	REV DATE: 7-21-20
DESIGN PLAN: ECN-51462	