

MOTOR:
THREE SPEED AC MOTOR WITH FORWARD CURVED WHEEL

- 120V 60 Hz, 1 PHASE, 3.3 FLA
- 208-240V, 60 Hz, 1 PHASE, 2.2 FLA
- 277V, 60 Hz, 1 PHASE, 1.4 FLA

FILTER:

- HEPA 99.99% @ 0.3 MICRON UL 900 (MSFH3)
- ULPA 99.9995% @ 0.12 MICRON UL 900 (MSFL53)
- OTHER _____

CONTROL:

- SOLID STATE SPEED CONTROL (SSC)
- REMOTE MOUNTED SPEED CONTROL (SCSL)
- NETWORK CONTROL CARD (TPC)

HOUSING FINISH:

- MILL FINISH ALUMINUM (M01)
- POWDER COAT PAINT - WHITE (M02)

SCREEN FINISH:

PAINTED WHITE GRILLE (D03)

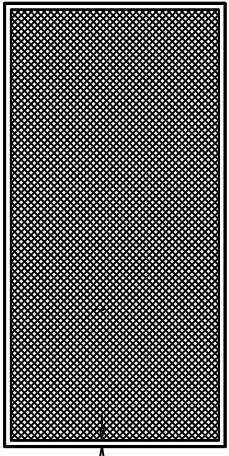
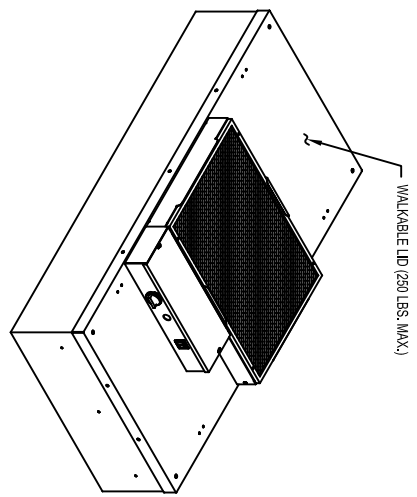
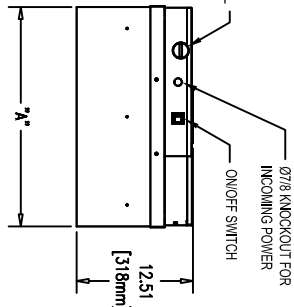
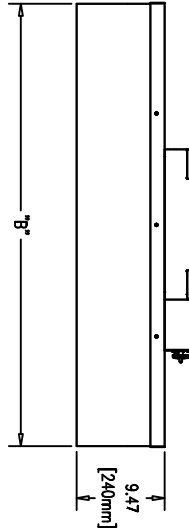
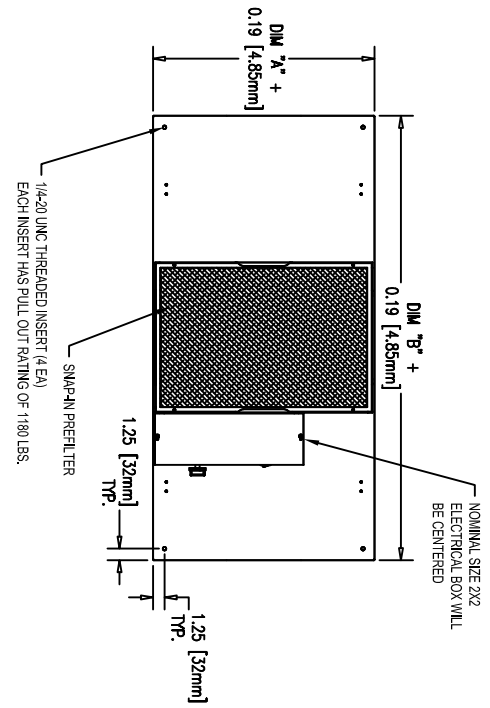
OPTIONS (SELECT MULTIPLE IF APPLICABLE):

- CONTINUOUS FILTER MONITORING (SPS) [0 - 10V OUTPUT SIGNAL]
- INSULATION - APPLIED TO UNIT TOP AND SIDES (INS)

CERTIFICATION:

- UL 507 LISTED (E152885)
- CE CERTIFIED

NOTE: ITEMS IN BOLD DESIGNATE STANDARD OFFERING.



BOTTOM VIEW
(ROOM SIDE)

FILTER SIZE (OD)		GRID SIZE	NOMINAL FILTER SIZE	APPROX. WEIGHT
DIM "A" in (mm)	DIM "B" in (mm)			
<input type="checkbox"/> 23.63 (600)	47.63 (1210)	1.5" (S04)	2X4	66 lbs 30 kgs
<input type="checkbox"/> 23.13 (588)	47.13 (1197)	2" (S08)		
<input type="checkbox"/> 23.03 (585)	46.63 (1185)	-		
<input type="checkbox"/> 23.63 (600)	41.63 (1057)	1.5" (S03)	2X3.5	58 lbs 26 kgs
<input type="checkbox"/> 23.13 (588)	41.13 (1045)	2" (S07)		
<input type="checkbox"/> 23.03 (585)	40.75 (1035)	-		
<input type="checkbox"/> 23.63 (600)	35.63 (905)	1.5" (S02)	2X3	52 lbs 24 kgs
<input type="checkbox"/> 23.13 (588)	35.13 (892)	2" (S06)		
<input type="checkbox"/> 23.03 (585)	34.84 (885)	-		
<input type="checkbox"/> 23.63 (600)	23.63 (600)	1.5" (S01)	2X2	41 lbs 19 kgs
<input type="checkbox"/> 23.13 (588)	23.13 (588)	2" (S05)		
<input type="checkbox"/> 23.03 (585)	23.03 (585)	-		
<input type="checkbox"/>		**OTHER	N/A	

** CONTACT ENVIRCO TO ENSURE SIZE AVAILABILITY.

SIGNATURE _____

DATE _____

COMPANY _____

PROJECT _____

P.O. _____

101 McNeill Rd
Santof, NC 27330
PHONE: 919-775-2201
PHONE: 1-800-884-0002
FAX: 1-800-486-2379
www.envirco.com
email: customerservice@envirco.com

**MAC10 ORIGINAL
STANDARD (MGS)**

UNLESS SPECIFIED,
ALL DIMENSIONS
ARE IN INCHES.
TOLERANCE
.XX±.03 .XX±.015
ANGULAR ±1°
UNLESS NOTED

THIS DRAWING IS THE PROPERTY
OF ENVIRCO, AND MAY NOT
BE REPRODUCED OR PUBLISHED
WITHOUT AUTHORIZATION FROM
ENVIRCO.

DRAWING NO: **8000000**

DATE: 7-17-12

REV: C

DESIGN PUNK
ECN-57462

