

HOUSING STYLE:

- RSR - FILTER ONLY ROOMSIDE REMOVABLE (MGR)
- RSRE - FILTER BAFFLE AND MOTOR ROOMSIDE REMOVABLE (MGRE)

MOTOR:

- THREE SPEED AC MOTOR WITH FORWARD CURVED WHEEL
- 120V, 60 Hz, 1 PHASE, 3.3 FLA
- 208-240V, 60 Hz, 1 PHASE, 2.2 FLA
- 277V, 60 Hz, 1 PHASE, 1.4 FLA

FILTER:

- HEPA 99.99% @ 0.3 MICRON UL 900 (MSFH3)
- ULPA 99.99995% @ 0.12 MICRON UL 900 (MSFUS3)
- OTHER _____

CONTROL:

- SOLID STATE SPEED CONTROL (SSC)
- REMOTE MOUNTED SPEED CONTROL (SSCL)
- NETWORK CONTROL CARD (TPC)

HOUSING FINISH:

- MILL FINISH ALUMINUM (M01)
- POWDER COAT PAINT - WHITE (M02)
- 304 STAINLESS STEEL (M304)
- [UNIT HEIGHT INCREASES BY 3/8"]

SCREEN FINISH:

- ANODIZED ALUMINUM (D01)
- POWDER COAT PAINT - WHITE (D02)
- 304 STAINLESS STEEL (D304)

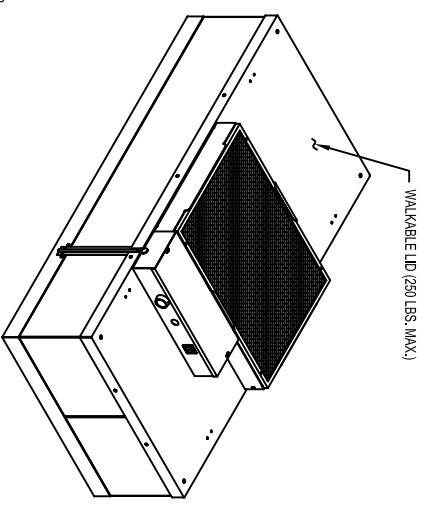
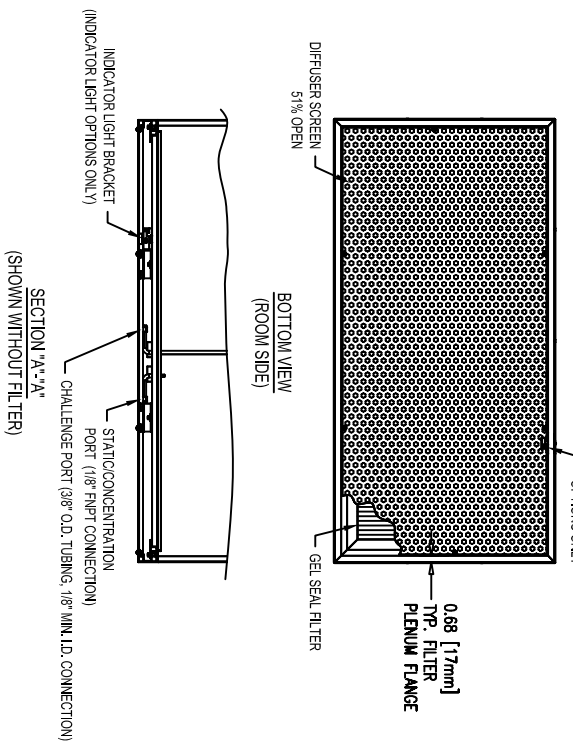
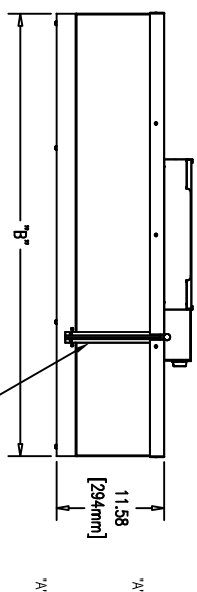
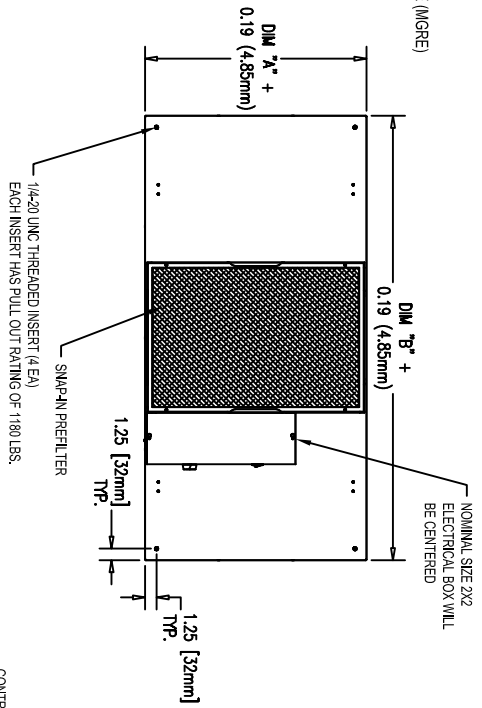
OPTIONS (SELECT MULTIPLE IF APPLICABLE):

- MOTOR RUN INDICATOR LIGHT - GREEN (LI)
- [ON = MOTOR RUNNING; OFF = MOTOR FAILURE]
- FILTER LOAD INDICATOR LIGHT - RED (LIFS)
- [ON = TIME TO CHANGE FILTER]
- CONTINUOUS FILTER MONITORING (SPS)
- [0 - 10V OUTPUT SIGNAL]
- INSULATION - APPLIED TO UNIT TOP AND SIDES (INS)
- FILTER SHIPPED SEPARATELY FROM UNIT (FSL)
- SCREEN SECURED BY QUARTER TURN LATCHES (LSC)

CERTIFICATION:

- UL 507 LISTED (E152685)
- CE CERTIFIED

NOTE: ITEMS IN BOLD DESIGNATE STANDARD OFFERING



HOUSING SIZE (OD)	DIM "A" in (mm)	DIM "B" in (mm)	GRID SIZE	NOMINAL FILTER SIZE	APPROX. WEIGHT lbs (kgs)
<input type="checkbox"/> 23.63 (600)	47.63 (1210)	1.5" (S04)			ALUM.: 71 (32)
<input type="checkbox"/> 23.13 (588)	47.13 (1197)	2" (S08)			SST.: 81 (37)
<input type="checkbox"/> 23.03 (585)	46.63 (1185)	-			
<input type="checkbox"/> 23.63 (600)	41.63 (1057)	1.5" (S03)			ALUM.: 62 (28)
<input type="checkbox"/> 23.13 (588)	41.13 (1045)	2" (S07)			SST.: 72 (33)
<input type="checkbox"/> 23.03 (585)	40.75 (1035)	-			
<input type="checkbox"/> 23.63 (600)	35.63 (905)	1.5" (S02)			ALUM.: 54 (24)
<input type="checkbox"/> 23.13 (588)	35.13 (892)	2" (S06)			SST.: 64 (29)
<input type="checkbox"/> 23.03 (585)	34.84 (885)	-			
<input type="checkbox"/> 23.63 (600)	23.63 (600)	1.5" (S01)			ALUM.: 44 (20)
<input type="checkbox"/> 23.13 (588)	23.13 (588)	2" (S05)			SST.: 54 (24)
<input type="checkbox"/> 23.03 (585)	23.03 (585)	-			
<input type="checkbox"/>			** OTHER		N/A

** CONTACT ENVIRCO TO ENSURE SIZE AVAILABILITY.

SIGNATURE _____

DATE _____

COMPANY _____

PROJECT _____

P.O. _____

101 McNeill Rd.
 Sanford, NC 27330
 PHONE: 919-775-2201
 PHONE: 1-800-884-0002
 FAX: 1-800-458-2379
 www.envirco.com
 email: customerservice@envirco.com

MAC10 ORIGINAL
RSR/RSRE (MGR/MGRE)

UNLESS SPECIFIED, ALL DIMENSIONS ARE IN INCHES. TOLERANCE .XX±.03 .XX±.015 ANGULAR ±1° UNLESS NOTED

THIS DRAWING IS THE PROPERTY OF ENVIRCO, AND MAY NOT BE REPRODUCED OR PUBLISHED WITHOUT AUTHORIZATION FROM ENVIRCO.

DRAWING NO: **8000001**

DATE: 7-17-12

REV: D

DESIGN: PAK

ECN: 51462

