

HOUSING STYLE:  
**RSRE - FILTER, BAFFLE, AND MOTOR ROOMSIDE REMOVABLE**

EOM WITH BACKWARD CURVED WHEEL

- 120V, 50/60 Hz, 1 PHASE, 5.80 FLA
- 208-240V, 50/60 Hz, 1 PHASE, 3.70FLA
- 277V, 50/60 Hz, 1 PHASE, 3.20 FLA

FILTER:

- HEPA 99.99% @ 0.3 MICRON UL 900
- ULPA 99.9995% @ 0.12 MICRON UL 900
- OTHER \_\_\_\_\_

CONTROL:

UNIVERSAL CONTROL CARD (UCC)

- MANUAL MODE: ONBOARD TRIM POT ADJUSTMENT
- ANALOG MODE: 0 - 10 VOLT INPUT
- NETWORK MODE: MODBUS RTU

- ROOM SIDE INFRARED SPEED CONTROL (IR)
- REMOTE MOUNTED VISUAL CONTROL UNIT (CSL)

HOUSING FINISH:

- MILL FINISH ALUMINUM
- POWDER COAT PAINT - WHITE
- 304 STAINLESS STEEL

SCREEN FINISH:

- ANODIZED ALUMINUM
- POWDER COAT PAINT - WHITE
- 304 STAINLESS STEEL

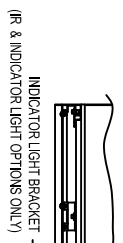
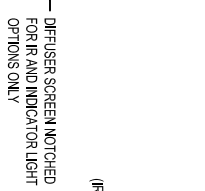
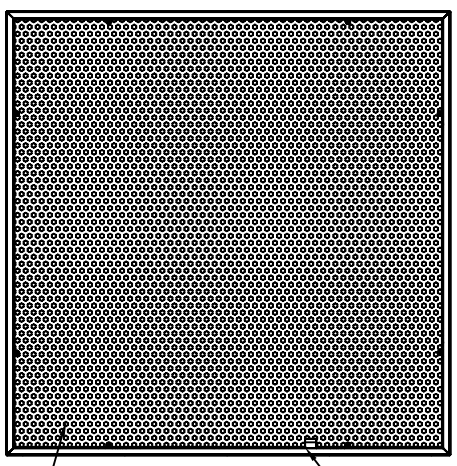
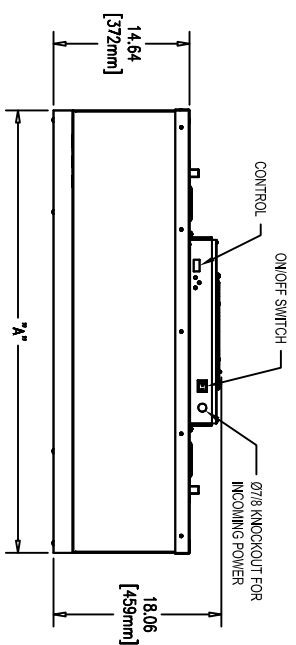
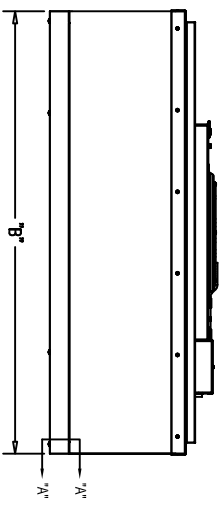
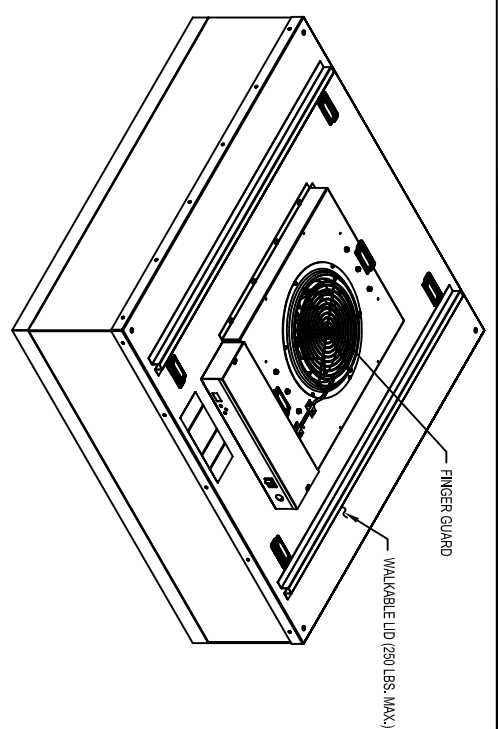
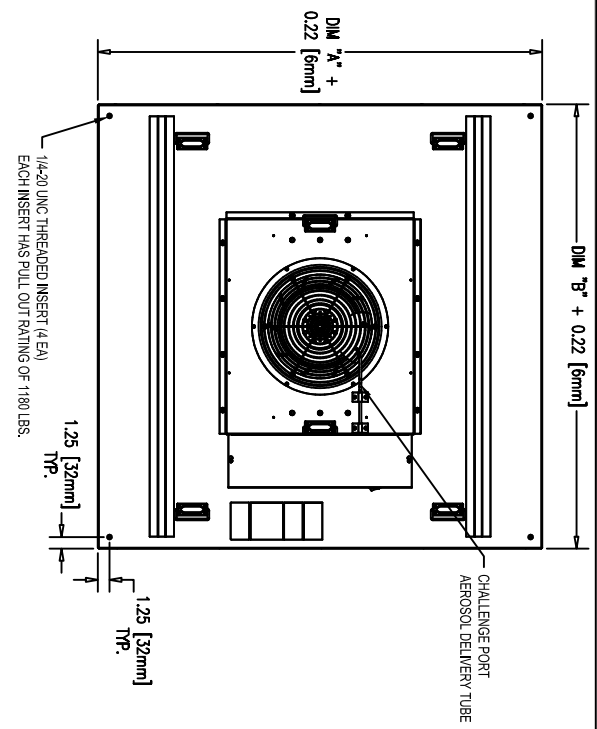
OPTIONS (SELECT MULTIPLE IF APPLICABLE):

- MOTOR RUN INDICATOR LIGHT - GREEN  
[ON = MOTOR RUNNING; OFF = MOTOR FAILURE]
- FILTER LOAD INDICATOR LIGHT - RED  
[ON = TIME TO CHANGE FILTER]
- CONTINUOUS FILTER MONITORING  
  - READ 0-10V OUTPUT SIGNAL WITH ATTACHED FLYING LEADS
  - READ DIRECTLY FROM MODBUS OF ACC CONSOLE / UCC
- INSULATION - APPLIED TO UNIT TOP AND SIDES

CERTIFICATION:

- UL 507 LISTED (E152685)
- CE CERTIFIED

NOTE: ITEMS IN BOLD DESIGNATE STANDARD OFFERING



SECTION 'A'-'A'  
 (SHOWN WITHOUT FILTER)  
 CHALLENGE PORT (3/8" O.D. TUBING, 1/8" MIN. I.D. CONNECTION)

HOUSING SIZE (OD)	GRID SIZE	NOMINAL HOUSING SIZE	APPROX. WEIGHT lbs (kgs)
DIM "A" In (mm)	DIM "B" In (mm)	SIZE	
<input type="checkbox"/> 47.63 (1210)	<input type="checkbox"/> 47.63 (1210)	<b>1.5"</b>	ALUM.: 150 (68)
<input type="checkbox"/> 47.13 (1197)	<input type="checkbox"/> 47.13 (1197)	<b>2"</b>	SST.: 170 (77)
<input type="checkbox"/>	<input type="checkbox"/>	OTHER	N/A

\*\* CONTACT ENVIROCO TO ENSURE SIZE AVAILABILITY.

SIGNATURE \_\_\_\_\_

DATE \_\_\_\_\_

COMPANY \_\_\_\_\_

PROJECT \_\_\_\_\_

P.O. \_\_\_\_\_

**ENVIROCO**  
*Innovators in clean technology*

101 Michael Rd.  
 Sanford, NC 27330  
 PHONE: 919.775.2201  
 PHONE: 1-800-884-0002  
 FAX: 1-800-456-2379  
 www.enviroco.com  
 email: customerservice@enviroco.com

**MAC10 LEDC 4x4**  
**RSRE**

UNLESS SPECIFIED, ALL DIMENSIONS ARE IN INCHES. TOLERANCE: .XX±.03 .XX±.015 ANGULAR ±1° UNLESS NOTED

THIS DRAWING IS THE PROPERTY OF ENVIROCO, AND MAY NOT BE REPRODUCED OR PUBLISHED WITHOUT AUTHORIZATION FROM ENVIROCO.

DRAWING NO: **8000009**

DATE: 7-17-12

REV: D

DESIGN: PJK

ECN: 52348